

DB2-B721 · B722

Single Needle Needle Feed Lock Stitcher
Single Needle Needle Feed Lock Stitcher with
Thread Trimmer

DB2-B723 · B724

Single Needle Needle Feed Lock Stitcher
with Large Hook
Single Needle Needle Feed Lock Stitcher
with Large Hook and Thread Trimmer



Specifications

	B721-3 B722-□03	B721-5 B722-□05	B723-5 B724-□05
Application	Medium materials	Heavy materials	Heavy materials
Max. sewing speed	5,000 rpm	4,000 rpm	4,000 rpm (Stitch length: 4.5 mm or less) 3,000 rpm (Stitch length: 4.6 - 6 mm)
Stitch length	4 mm	5 mm	6 mm
Needle bar stroke	31 mm	33 mm	34.1 mm
Height of feed dog	0.8 mm	1.2 mm	1.2 mm
Needle	DB × 1 #14	DB × 1 #22	DB × 1 #22
Hook	Standard rotary hook	Standard rotary hook	Large hook (×2)
Height of presser foot		Manual: 6mm Knee: 13mm	

DB2-B721-

3	Medium materials
5	Heavy materials

DB2-B722- 0 /

3	Medium materials
5	Heavy materials

Operation panel	*1
BF-20	
BF-40	
BF-100	

	Thread trimmer	Quick back	Thread wiper	Solenoid type presser foot lifter	
1	○	—	—	—	*1
3	○	○	—	—	*2
4	○	○	○	—	
9	○	○	○	○	

The specification indicated with *1 is for export only.
The specification indicated with *2 is for Japan only.

DB2-B723-

5	Heavy materials
---	-----------------

DB2-B724- 0 /

5	Heavy materials
---	-----------------

Operation panel	*1
BF-20	
BF-40	
BF-100	

	Thread trimmer	Quick back	Thread wiper	Solenoid type presser foot lifter	
1	○	—	—	—	*1
3	○	○	—	—	*2
4	○	○	○	—	
9	○	○	○	○	

The specification indicated with *1 is for export only.
The specification indicated with *2 is for Japan only.

GAUGE PARTS LIST

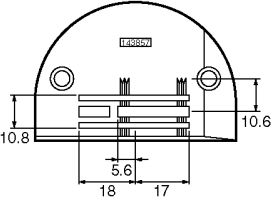
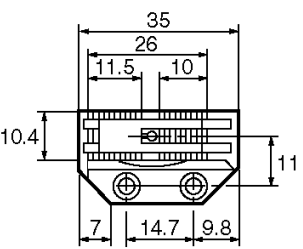
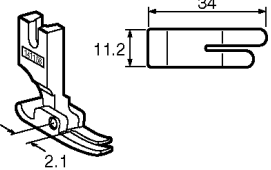
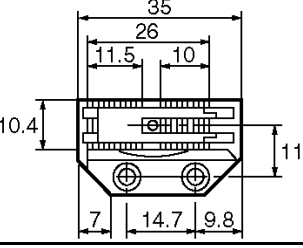
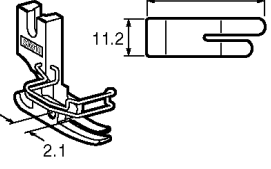
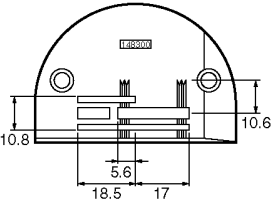
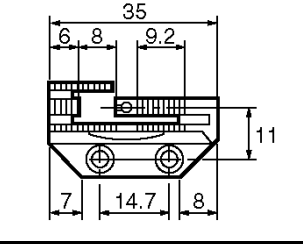
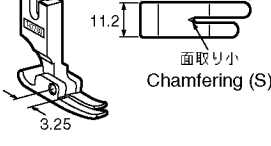
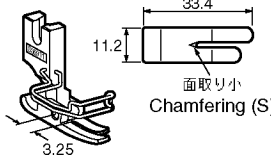
[DB2-B721, B722]

Spec.	Needle plate		T	Feed dog		Presser foot assy		
	Mark			Part code		φ	Part code	
Medium materials	143855		3.2	◆S01158-001 (With slot)				
				S03357-001				
				159521-001				
				159522-001				
	147954	159914-001						

*Parts indicated with ◆ are feed dogs for standard machines only.
Use with thread trimming machines will cause the fixed knife to strike the feed dog. Avoid such use.

GAUGE PARTS LIST

[DB2-B721, B722]


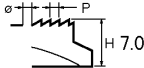
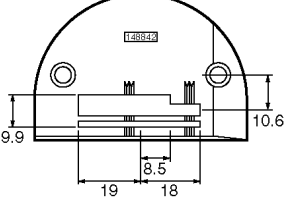
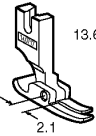
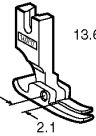
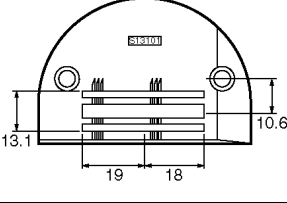
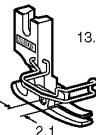
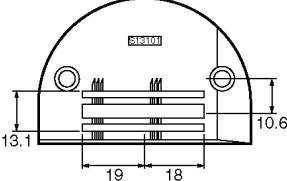
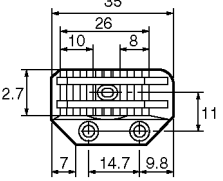
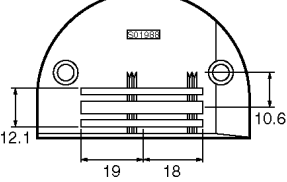
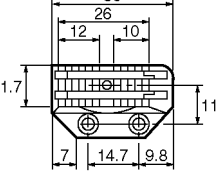
Spec.	Needle plate		T	Feed dog	ϕ	Presser foot assy
	Mark			Part code		Part code
Medium materials	148857	 <p>148857-001</p>	3.2	 <p>◆S01159-001</p>	$\phi 2$	 <p>141158-101</p>
				 <p>159523-001</p>		 <p>S36910-001</p>
	148300	 <p>148300-001</p>		 <p>◆S01160-001 (With slot)</p>	$\phi 2$	 <p>147703-101 面取り小 Chamfering (S)</p>
				 <p>S36911-001 面取り小 Chamfering (S)</p>		

*Parts indicated with ◆ are feed dogs for standard machines only.

Use with thread trimming machines will cause the fixed knife to strike the feed dog. Avoid such use.

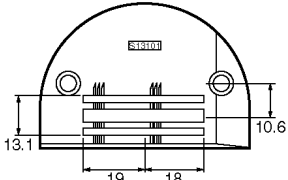
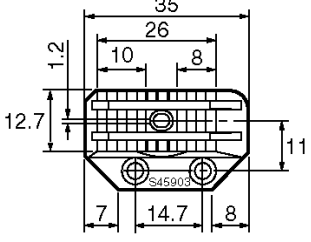
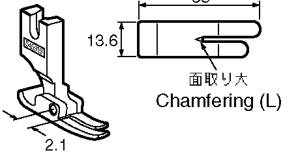
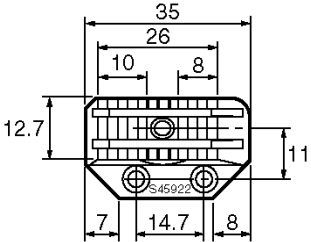
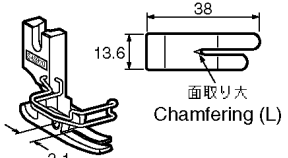
GAUGE PARTS LIST

[DB2-B721, B722]

Spec.	Needle plate 		T	Feed dog 			Presser foot assy
	Mark			Part code	P	ϕ	
Heavy materials	148842	148842-001 	3.2	159525-001 	1.25	$\phi 2.8$	140717-101  面取り大 Chamfering (L)
				159526-001 	1.6	$\frac{2}{3.6}$	S36909-001  面取り大 Chamfering (L)
	S13101	S13101-001 		S13102-101 	2.0	$\frac{2.4}{3.6}$	
	S01988	S01988-001 		S01989-001 		$\phi 2.4$	

GAUGE PARTS LIST

[DB2-B723, B724]

Spec.	Needle plate		T	Feed dog	φ	Presser foot assy
	Mark			Part code		Part code
Medium materials	S13101	 <p>S13101-001</p>	3.2	 <p>S45903-001 (With slot)</p>	 <p>S45919-001 面取り大 Chamfering (L)</p>	
				 <p>S45922-001</p>		 <p>S45920-001 面取り大 Chamfering (L)</p>