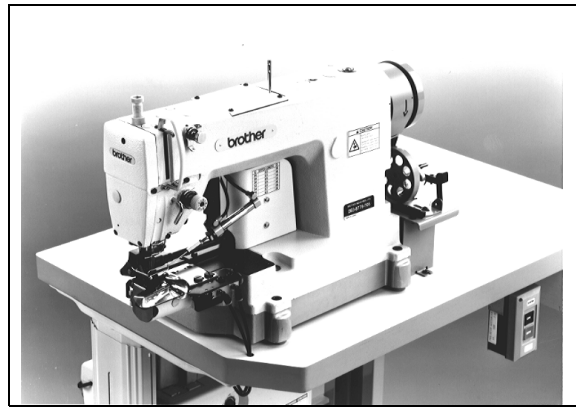


DB3-B775 · B776

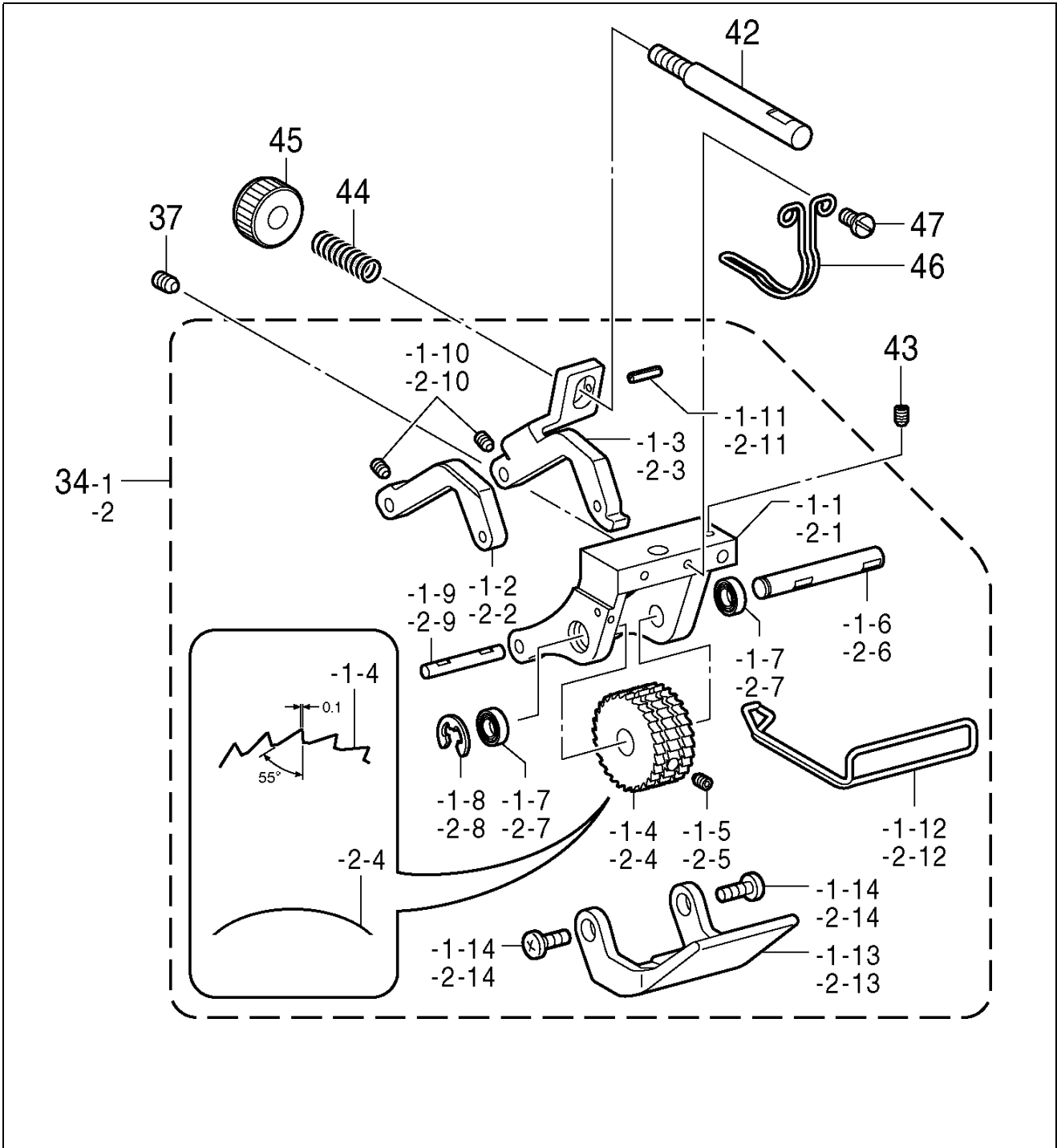
Single Needle Cylinder Bed Needle Feed
Lock Stitcher
Single Needle Cylinder Bed Needle Feed
Lock Stitcher with Thread Trimmer



Specifications

	B775	B776
Application	Hem bottom for jeans (Heavy materials)	
Max. sewing speed	5,000 rpm	
Stitch length	2 - 4.2 mm	
Needle bar stroke	33 mm	
Height of presser foot	14 mm	
Needle	1955 - 01MR5	
Hook	× 1.7 Rotary hook	
Cylinder circumference	180 mm	
Hem size	12.7 mm (1 / 2")	
Power source	-	Single phase 110 V, 220 V, 230 V, 240 V 3-phase 220 V, 380 V, 400 V, 415 V
Air pressure · Air consumption	-	0.49 Mpa (5 kgf / c m ²) · 0.5 l / min
Production capacity	1,000 - 1,200 pieces/day (2,000 - 2,400 seams)	

Presser foot mechanism



Presser foot mechanism

<For thin materials>

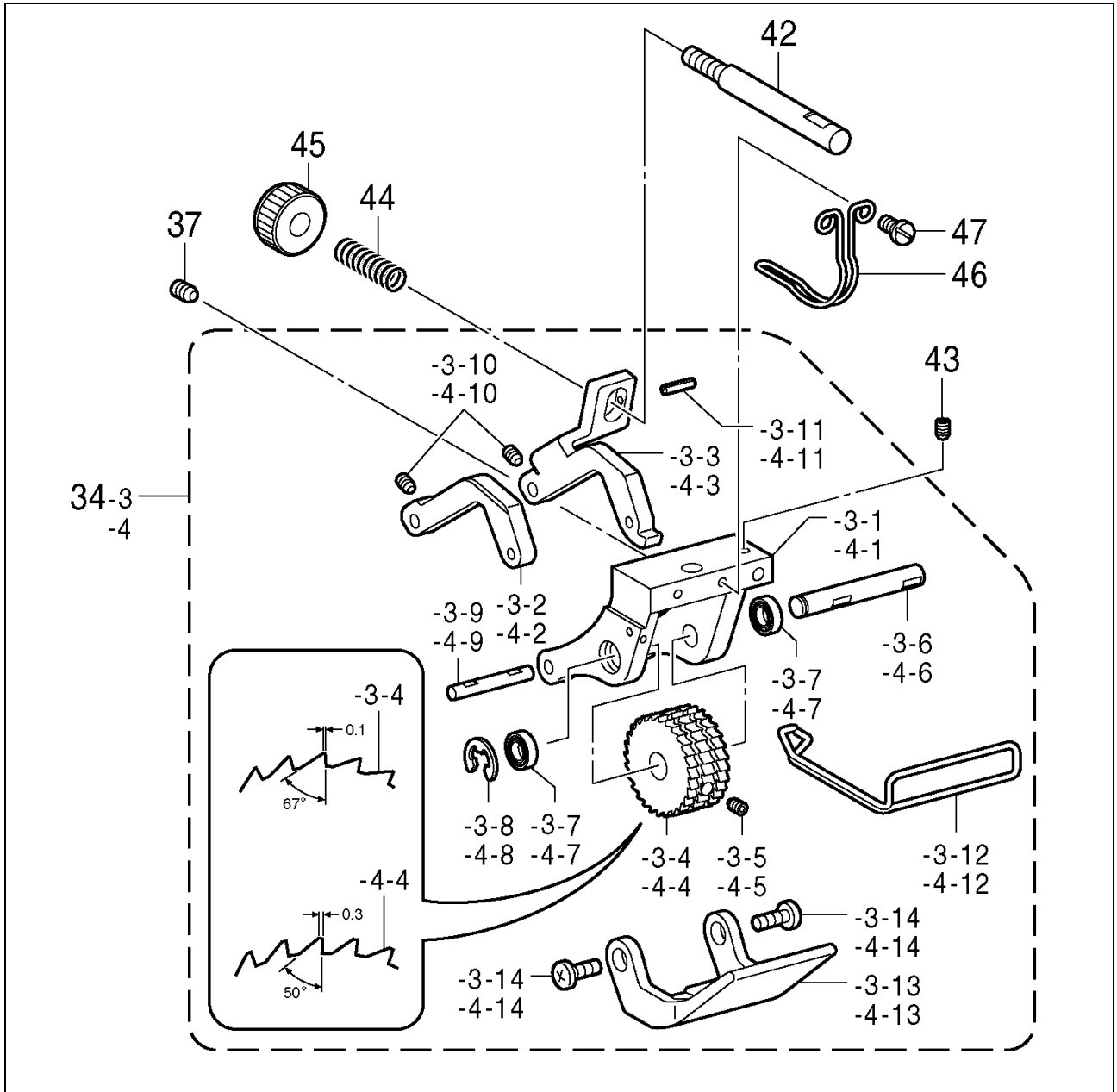
<Gear type>

Ref. No.	Part name	Part code	Q'ty
34-1	Presser foot assy, 12.7	S47629-101	1
34-1-1	Presser bracket	S44040-001	1
34-1-2	Presser foot, UL	S51239-001	1
34-1-3	Presser foot, UR	S51240-001	1
34-1-4	Roller, 28	S47639-001	1
34-1-5	Set screw, socket (CP) SM4.37	014680-622	2
34-1-6	Roller shaft	S44044-001	1
34-1-7	Ball bearing	S44045-000	2
34-1-8	Retaining ring, E5	048050-342	1
34-1-9	Presser foot shaft	S44046-001	1
34-1-10	Set screw, socket (CP) M3x5	014300-532	2
34-1-11	Pin, spring roll AW2	047201-042	1
34-1-12	Finger guard	S44047-000	1
34-1-13	Presser foot, D 12.7	S44048-001	1
34-1-14	Screw, bind SM3.18 - 40 x 6	060660-612	2
37	Set screw, socket SM5.95	014760-622	1
42	Shaft	S44050-001	1
43	Set screw, socket (CP) SM4.37	014680-422	1
44	Spring	S44051-001	1
45	Tension nut	155510-001	1
46	Roller cover	S44052-001	1
47	Screw, SM 3.57 x 6	100257-010	2

<Rubber roller type >

Ref. No.	Part name	Part code	Q'ty
34-2	Presser foot assy, 12.7	S47630-101	1
34-2-1	Presser bracket	S44040-001	1
34-2-2	Presser foot, UL	S51239-001	1
34-2-3	Presser foot, UR	S51240-001	1
34-2-4	Rubber roller, 28	S47635-001	1
34-2-5	Set screw, socket (CP) SM4.37	014680-622	2
34-2-6	Roller shaft	S44044-001	1
34-2-7	Ball bearing	S44045-000	2
34-2-8	Retaining ring, E5	048050-342	1
34-2-9	Presser foot shaft	S44046-001	1
34-2-10	Set screw, socket (CP) M3x5	014300-532	2
34-2-11	Pin, spring roll AW2	047201-042	1
34-2-12	Finger guard	S44047-000	1
34-2-13	Presser foot, D 12.7	S44048-001	1
34-2-14	Screw, bind SM3.18 - 40 x 6	060660-612	2
37	Set screw, socket SM5.95	014760-622	1
42	Shaft	S44050-001	1
43	Set screw, socket (CP) SM4.37	014680-422	1
44	Spring	S44051-001	1
45	Tension nut	155510-001	1

Presser foot mechanism



Presser foot mechanism

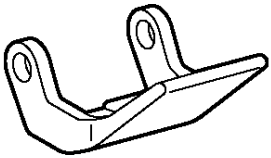
<For medium materials>

Ref. No.	Part name	Part code	Q'ty
34-3	Presser foot assy, 12.7	S46429-101	1
34-3-1	Presser bracket	S44040-001	1
34-3-2	Presser foot, UL	S51239-001	1
34-3-3	Presser foot, UR	S51240-001	1
34-3-4	Roller, 28	S44043-001	1
34-3-5	Set screw, socket (CP) SM4.37	014680-622	2
34-3-6	Roller shaft	S44044-001	1
34-3-7	Ball bearing	S44045-000	2
34-3-8	Retaining ring, E5	048050-342	1
34-3-9	Presser foot shaft	S44046-001	1
34-3-10	Set screw, socket (CP) M3x5	014300-532	2
34-3-11	Pin, spring roll AW2	047201-042	1
34-3-12	Finger guard	S44047-000	1
34-3-13	Presser foot, D12.7	S44048-001	1
34-3-14	Screw, bind SM3.18-40x6	060660-612	2
37	Set screw, socket SM5.95	014760-622	1
42	Shaft	S44050-001	1
43	Set screw, socket (CP) SM4.37	014680-422	1
44	Spring	S44051-001	1
45	Tension nut	155510-001	1
46	Roller cover	S44052-001	1
47	Screw, SM 3.57 x 6	100257-010	2

<For heavy materials>

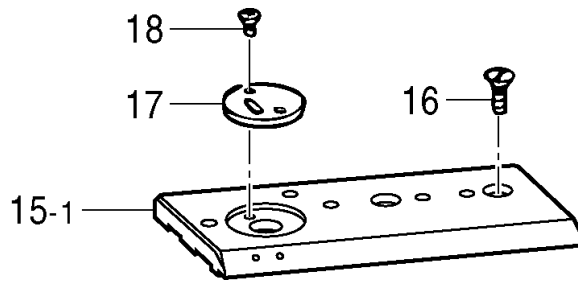
Ref. No.	Part name	Part code	Q'ty
34-4	Presser foot assy, 12.7	S46766-101	1
34-4-1	Presser bracket	S44040-001	1
34-4-2	Presser foot, UL	S51239-001	1
34-4-3	Presser foot, UR	S51240-001	1
34-4-4	Roller, 28	S46767-001	1
34-4-5	Set screw, socket (CP) SM4.37	014680-622	2
34-4-6	Roller shaft	S44044-001	1
34-4-7	Ball bearing	S44045-000	2
34-4-8	Retaining ring, E5	048050-342	1
34-4-9	Presser foot shaft	S44046-001	1
34-4-10	Set screw, socket (CP) M3x5	014300-532	2
34-4-11	Pin, spring roll AW2	047201-042	1
34-4-12	Finger guard	S44047-000	1
34-4-13	Presser foot, D 12.7	S44048-001	1
34-4-14	Screw, bind SM3.18 - 40 x 6	060660-612	2
37	Set screw, socket SM5.95	014760-622	1
42	Shaft	S44050-001	1
43	Set screw, socket (CP) SM4.37	014680-422	1
44	Spring	S44051-001	1
45	Tension nut	155510-001	1
46	Roller cover	S44052-001	1
47	Screw, SM 3.57 x 6	100257-010	2

Presser foot mechanism

			
Part name	Part code	Q'ty	
Presser foot, D9.5	S44049-001	1	

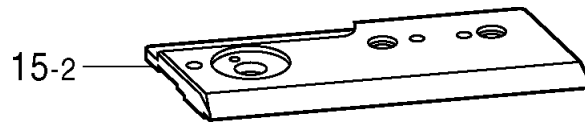
Needle plate

<For B776>



Ref. No.	Part name	Part code	Q'ty
15-1	Needle plate	S44018-001	1
16	Screw, flat SM4.37	100032-004	2
17	Needle hole plate	S44019-001	1
18	Screw, flat SM2.38	100360-003	2
	<For thin materials >		
17	Needle hole plate	S47634-001	1

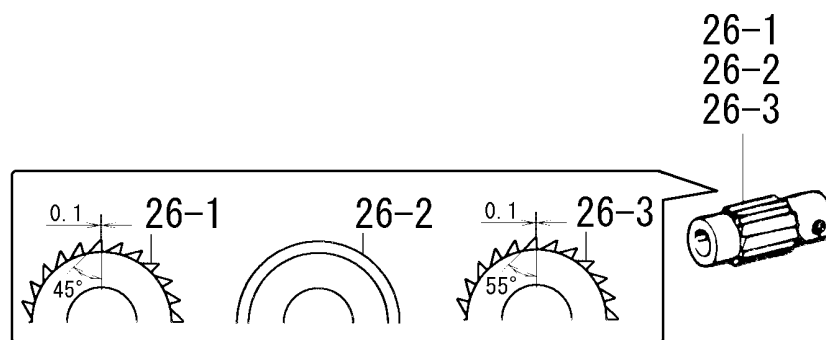
<For B775>



Ref. No.	Part name	Part code	Q'ty
15-2	Needle plate	S46310-001	1

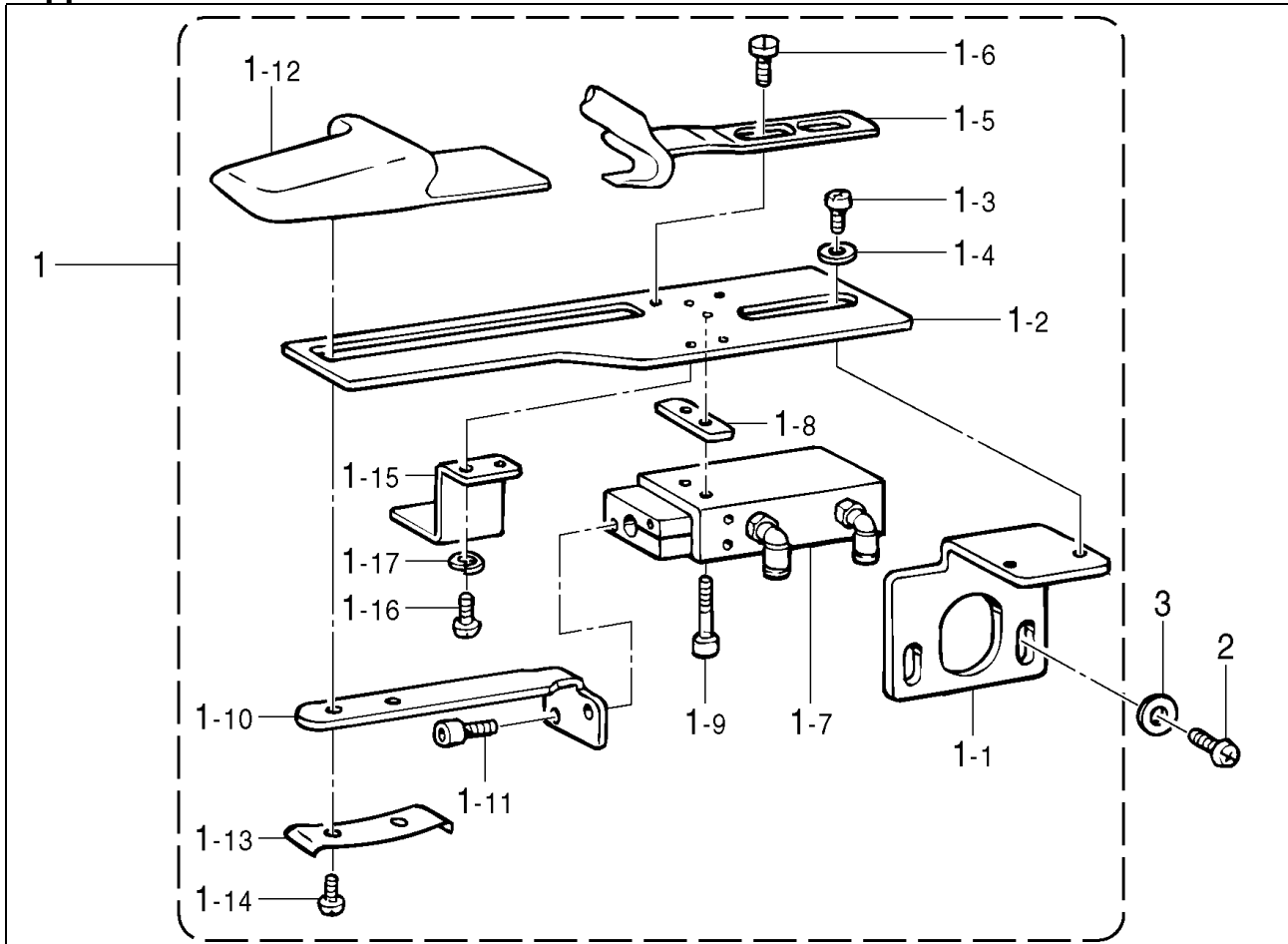
*Screw, flat SM4.37, needle hole plate, and screw, flat SM2.38 are used for both B775 & B776.

Feed roller



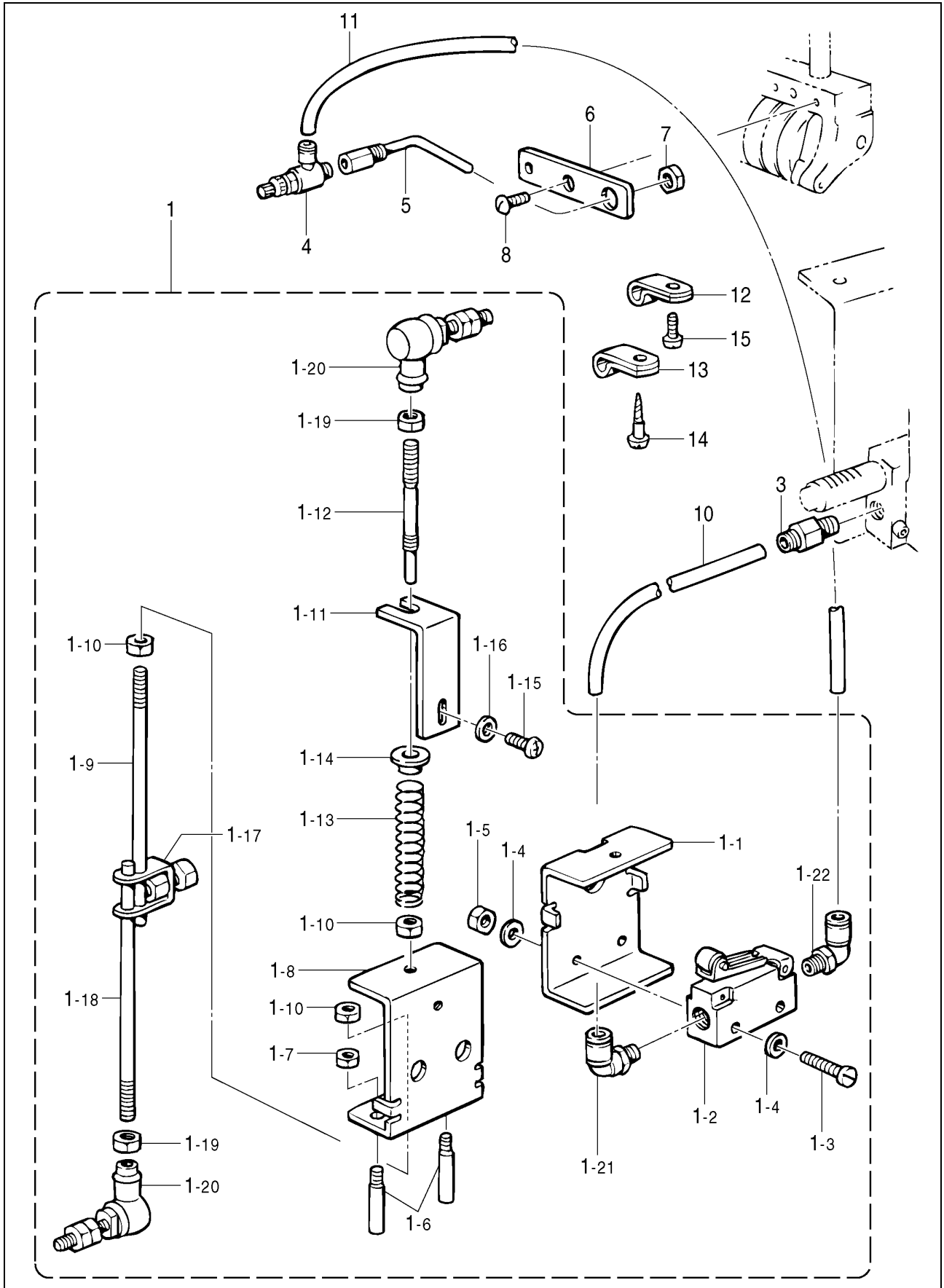
Ref. No.	Part name	Part code	Q'ty
	For thin materials		
	<Gear type >		
26-1	Roller, 14	S47640-001	1
	<Rubber roller type >		
26-2	Rubber roller, 14	S47636-001	1
	For medium and heavy materials		
26-3	Roller, 14	S44088-001	1

Lapper mechanism



Ref. No.	Part name	Part code	Q'ty
<For heavy materials>			
1	Lap seam folder assy	S44095-001	1
1-1	Lap seam folder support plate	S44096-001	1
1-2	Lap seam folder setting plate	S44097-001	1
1-3	Screw, pan SM4.37 - 40 x 8	062680-812	2
1-4	Washer, plain 5	146354-001	2
1-5	Lap seam folder, R	S44098-000	1
1-6	Screw, SM4.37	115503-001	2
1-7	Cylinder assy	S44099-000	1
1-8	Spacer	S44101-001	1
1-9	Bolt, socket M3 x 16	018301-636	2
1-10	Guide plate, folder (L)	S44102-001	1
1-11	Bolt, socket M3 x 10	018301-036	2
1-12	Lap seam folder, L	S44103-000	1
1-13	Presser plate	S44104-001	1
1-14	Screw, pan M3 x 8	062300-816	2
1-15	Cover	S44105-001	1
1-16	Screw, pan M3 x 4	062300-416	2
1-17	Washer, spring 2 - 3	028030-242	2
2	Screw, pan SM5.95 - 28 x 12	062761-212	2
3	Washer, plain M6	025060-232	2
<For medium materials>			
1	Lap seam folder assy, M	S47631-001	1
1-5	Lap seam folder, RM	S47632-000	1
1-12	Lap seam folder, LM	S47633-000	1

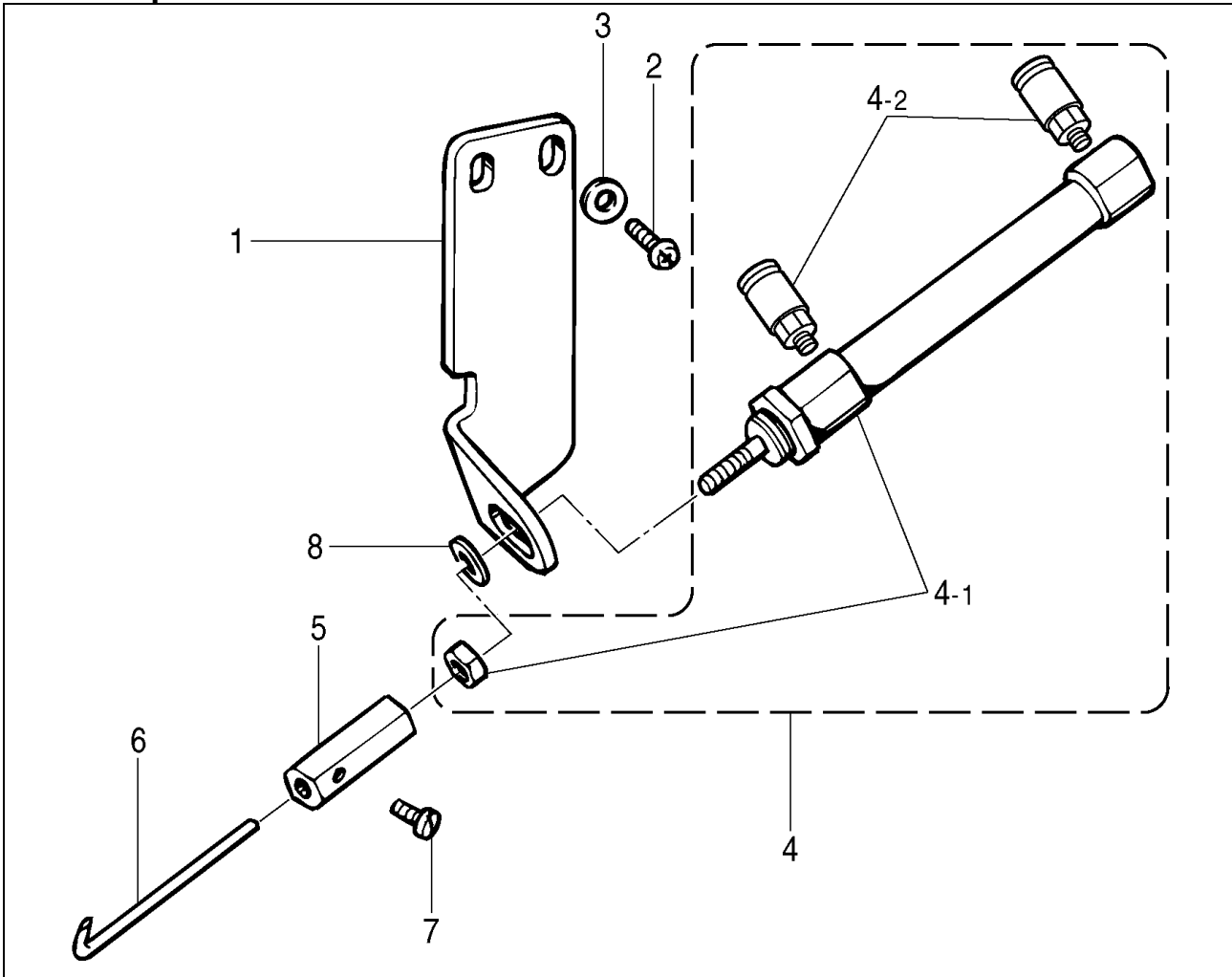
Needle cooler



Needle cooler

Ref. No.	Part name	Part code	Q'ty
1	Connecting rod assy	S44154-001	1
1-1	Valve setting plate	S21356-001	1
1-2	Micro valve	S01561-000	1
1-3	Screw, flat M4 × 25	007402-516	2
1-4	Washer, plain M4	025040-236	4
1-5	Nut, 1M4	021400-106	2
1-6	Pin	S21357-001	2
1-7	Nut, 2M4	021400-206	4
1-8	Valve differential plate	S21358-001	1
1-9	Connecting rod, inner	S44155-001	1
1-10	Nut, 3M6	021060-306	3
1-11	Adjusting plate, spring	S21359-001	1
1-12	Connecting rod, U	S21360-001	1
1-13	Spring, A	S21361-001	1
1-14	Spring holder	S21362-000	1
1-15	Screw, bind M4 × 6	060400-616	1
1-16	Washer, plain M4	025040-236	1
1-17	Connecting rod clamp assy	181225-001	1
1-18	Connecting rod, inner	S44155-001	1
1-19	Nut, 3M6	021060-306	2
1-20	Joint assy	119712-001	2
1-21	Elbow union, 61	S01542-000	1
1-22	Elbow union	S04909-000	1
3	Half union	S01522-000	1
4	Speed controller	S23660-000	1
5	Air blow assy	S44156-001	1
6	Air blow setting plate	S44159-001	1
7	Nut, 1M5	021500-106	1
8	Screw, bind SM3.57 – 40 × 6	060670-612	1
10	Air tube, 6L = 900	S28686-000	1
11	Air tube, L = 1170	S36655-001	1
12	Cord holder, 6N	525664-000	1
13	Cord holder, 5N	S00480-000	1
14	Wood screw, round M3.1 × 13	031311-302	1
15	Screw, pan SM3.57 – 40 × 6	062670-612	1

Thread wiper mechanism



Ref. No.	Part name	Part code	Q'ty
1	Setting bracket, cylinder	S44139-001	1
2	Screw, pan SM4.37 - 40 x 10	062681-012	2
3	Washer, plain S4.37	025680-132	2
4	Cylinder assy, 10 x 30	S41581-000	1
4-1	Cylinder 10 x 30	S41582-000	1
4-2	Tube elbow, M - 5HL - 4	S12150-000	2
5	Thread wiper arm	S44140-001	1
6	Thread wiper	S44141-001	1
7	Set screw, SM3.18	140553-102	1
8	Washer, plain S10	025100-132	1