

# SL-710A

Single Needle Direct Drive Straight Lock  
Stitcher with Thread Trimmer



## Model

SL-710A-□□□ - □□□

Device				
	Thread Trimmer	Quick back Device	Thread wiper	Automatic presser lifter
3	○	○	—	—
4	○	○	○	—
9	○	○	○	○

Lower thread detector	
0	—
1	○

Application	
S	—
1	Difficult-to-sew and light materials
3	Medium materials
5	Heavy materials

Operation panel	
	B-40
	B-100

## Specifications

		□□S	□□1	□□3	□□5
Application		—	Difficult-to-sew and light materials	Medium materials	Heavy materials
Max. speed		3,000 rpm	4,000 rpm	5,000 rpm	3,500 rpm
Max. stitch length		4.2 mm			5 mm
Height of Presser foot	Manual	6 mm			
	Knee	13 mm			
	Auto	10 mm			
Type and height of feed dog		—	4 row 0.8 mm	3 row 0.8 mm	3 row (rough) 1.2 mm
Needles		—	DB × 1NS #9 DP × 5NS #9	DB × 1 #11 DP × 5 #11	DB × 1 #22 DP × 5 #22
Hook		RP hook	Rotary hook for thread trimming		
Bed size		476 × 178 mm			
Arm pocket size		266.5 × 134.5 mm			

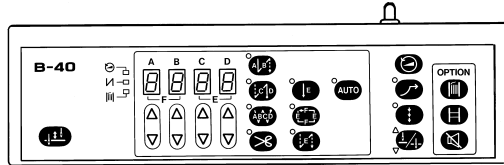
## Motor specifications

High sewing speed	220 rpm to the maximum (Changeable)
Low sewing speed	220 rpm
Front / continuous backtacking speed	220 rpm to 1,800 rpm (Changeable)
End backtacking speed	1,800 rpm
Motor	AC servomotor (3-phase / single-phase 4 pole 400 W, 100 240 V)
Control circuit	Microcomputer

Control box : MD721 (Single-phase), MD731 (3-phase)

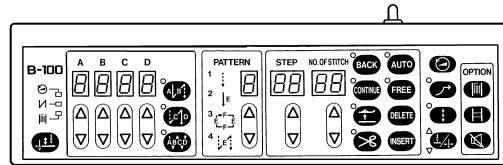
## Operating panel

B-40



J80627-001

B-100



FOR JAPAN ONLY J80628-001  
FOR EXPORT J80629-001

### Basic function

		B-40	B-100
	Automatic sewing	○	○
	Start backtack (0-9)	○	○
	End backtack (0-9)	○	○
	Continuous backtack (0-9)	○	○
	Correction sewing	○	○
	Half stitch	○	○
	Sewing speed setting	○	○
	Slow start sewing	○	○
	Needle up stop / Needle down stop	○	○
	Lower thread detector (optional)	○	○

### Pattern sewing

		B-40	B-100
	Normal lock stitch	○	○
	Fixed stitch (1-99)	○	○
	Name label stitch (1-99)	○	○
	Pleats presser stitch (1-99)	○	○
	Pattern stitch	—	○

### Pattern setting

		B-40	B-100
	Automatic thread trimming	○	○
	Automatic presser foot lifting	—	○
	Back stitch	—	○
	Continuous stitch	—	○
	Step deletion	—	○
	Step insertion	—	○
	Temporarily cancel programming sewing	—	○

## Options

Part name		Code
Presser foot lifting solenoid set A	With knee switch	S80008-001
Presser foot lifting solenoid set B	Without knee switch	S80009-001
Bobbin thread detector set		S80007-001
Thread wiper set		
Tension gauge set		183922-101
Auto bobbin changer		
Set for new synthetic fabric*	For -□□3 models	183910-201

\* If changing -□□1 models to new synthetic fabric specifications, please use the following parts.

Rotary hook box assy S44338-901  
 Cap screw S35786-001

## Work table parts

Part name	Code
Standing operation 2 pedal #6 (Two pedals + kick pedal)	J80081-040
Standing operation 3 pedal #40 (Three pedals)	J80380-040
Spacer set	183504-009
Caster set	183501-001
Foot plug set, NDD (For control box)	J02953-001

# Gauge parts list

3ROW

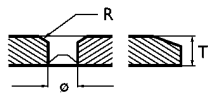
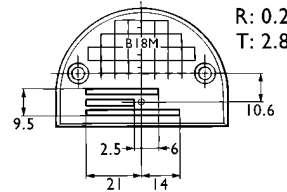

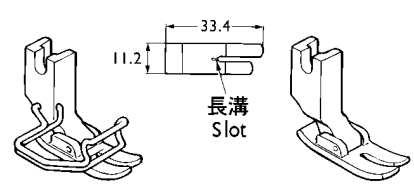
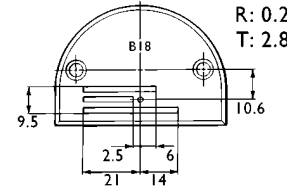
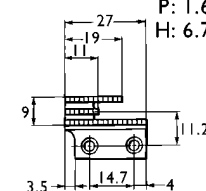
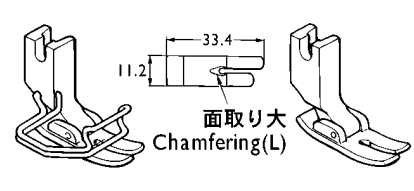
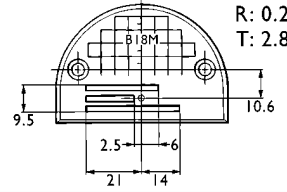

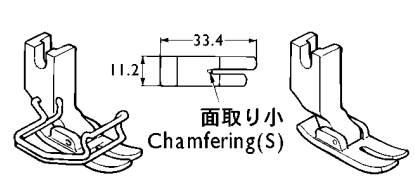
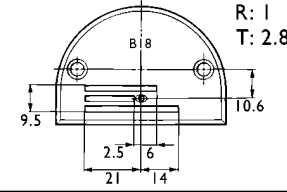
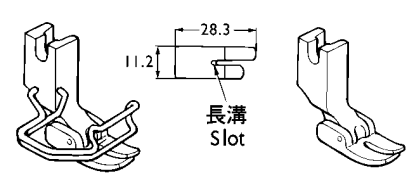
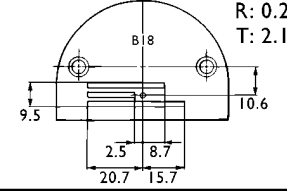
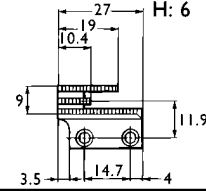
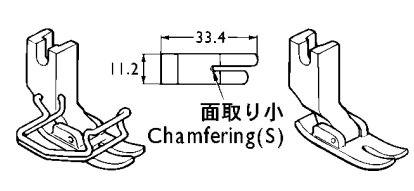
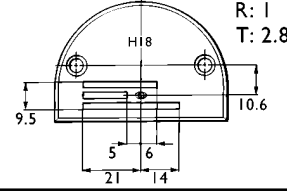
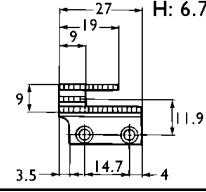
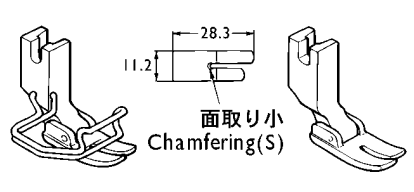
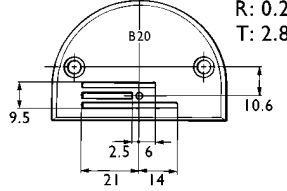
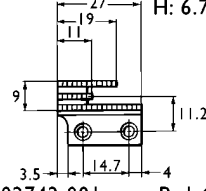
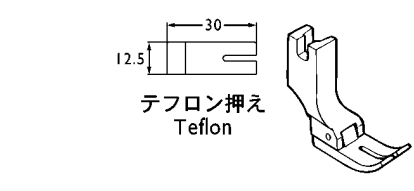
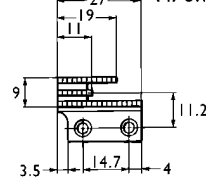
[Models, SL-7100, SL-710A, SL-7360, SL-737A]

用途 Application	針板 Needle plate		送り歯 Feed dog	押工組 Presser foot assy		
	記号 Mark					
薄・中厚物用 Light & medium-weight materials	B12	I53147-001 	I46231-001 	S36902-001 	I53037-201 	
	B14	I46233-001 		S36905-001 	I13280-101 	
	NB14M	S29649-001 		S38189-001 	I47531-101 	
	NB16M	S29646-001 		S36906-101 	I11856-101 	
	B14	I46050-001 		S07649-001 	S38187-001 	I40957-101 
	B14	I47238-001 		S38188-001 	I43711-101 	
	B16	I53190-001 		S02742-001 	S01904-001 	テフロン押え Teflon 
	B16	I47239-001 				

# GAUGE PARTS LIST

3ROW

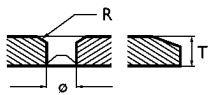
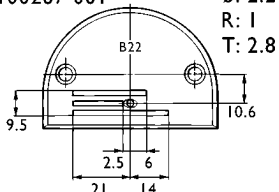
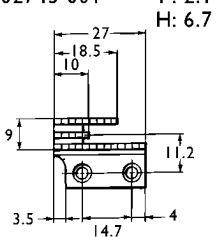
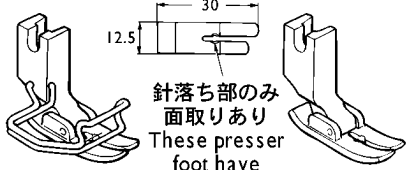
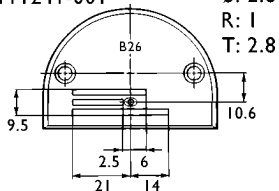
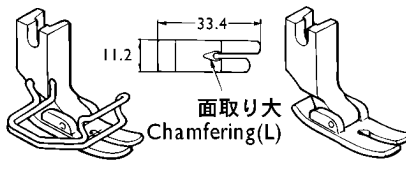
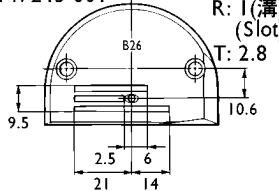
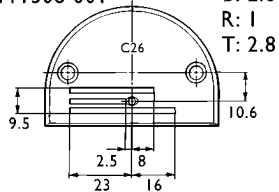
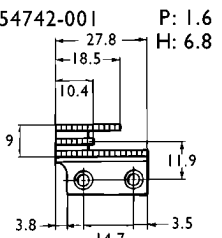
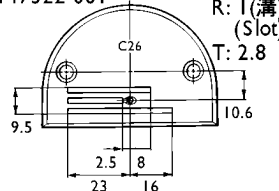
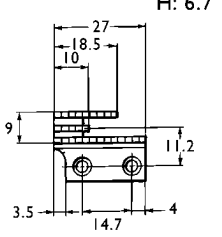
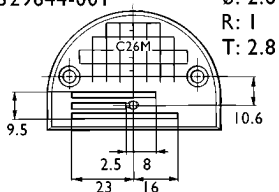
[Models, SL-7100, SL-710A, SL-7360, SL-737A]

用途 Application	針板 Needle plate		送り歯 Feed dog	押工組 Presser foot assy	
	記号 Mark				
薄・中厚物用 Light & medium-weight materials	B18M	S29645-001  ø: 1.8 R: 0.2 T: 2.8	S07649-001  P: 1.15 H: 6.7	S36902-001  153037-201 長溝 Slot	
	B18	I45971-001  ø: 1.8 R: 0.2 T: 2.8	S02742-001  P: 1.6 H: 6.7	S36905-001  113280-101 面取り大 Chamfering(L)	
中厚物用 medium-weight materials	B18M	S29645-001  ø: 1.8 R: 0.2 T: 2.8	S07649-001  P: 1.15 H: 6.7	S38189-001  147531-101 面取り小 Chamfering(S)	
	B18	I00266-001  ø: 1.8 R: 1 T: 2.8		S36906-101  111856-101 長溝 Slot	
	B18	I46232-001  ø: 1.8 R: 0.2 T: 2.1		I46231-001  P: 1.15 H: 6	S38187-001  140957-101 面取り小 Chamfering(S)
	H18	I41096-001  ø: 1.8 R: 1 T: 2.8		I17442-001  P: 1.15 H: 6.7	S38188-001  143711-101 面取り小 Chamfering(S)
	B20	S11222-001  ø: 2 R: 0.2 T: 2.8		S07649-001  P: 1.15 H: 6.7	S01904-001  テフロン押え Teflon
				S02742-001  P: 1.6 H: 6.7	

# GAUGE PARTS LIST

3ROW

[Models, SL-7100, SL-710A, SL-7360, SL-737A]

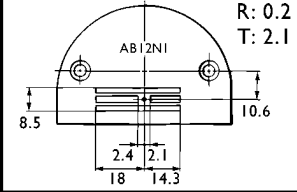
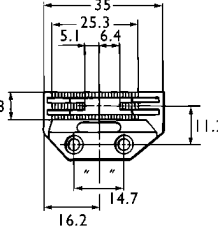
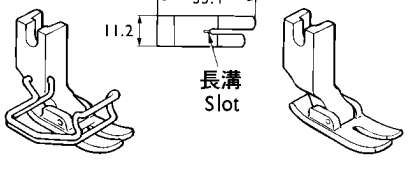
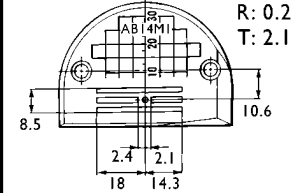
用途 Application	針板 Needle plate		送り歯 Feed dog	押工組 Presser foot assy			
	記号 Mark						
厚物用 Heavy-weight materials	B22	100267-001 		<p>S36904-001      145157-101</p>  <p>針落ち部のみ 面取りあり These presser foot have chamfering corner on the needle location</p>			
	B26	111241-001 			<p>S36905-001      113280-101</p>  <p>面取り大 Chamfering(L)</p>		
	B26	147245-001 					
	C26	111508-001 					
	C26	147322-001 					
	C26M	S29644-001 					

\* If a feed dog measuring 11.9 mm from the screw hole center to tooth center is used, shift the feed bar crank and feed lifting crank 0.7 mm to the left.

# GAUGE PARTS LIST

4ROW

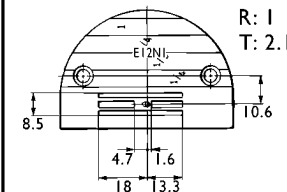
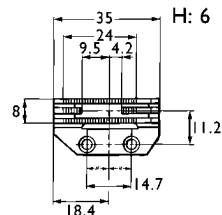
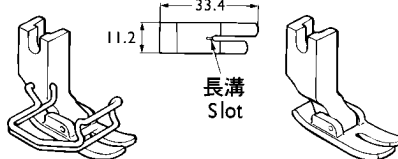
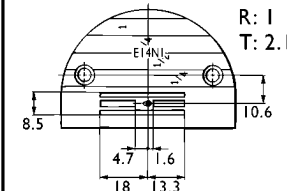
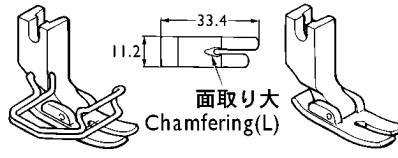
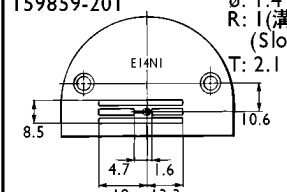
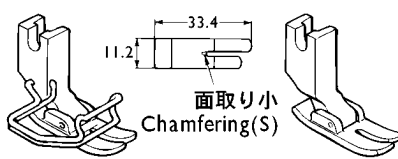
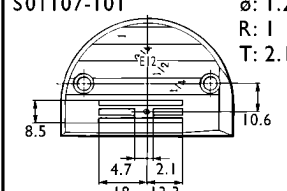
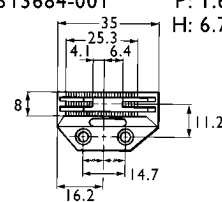
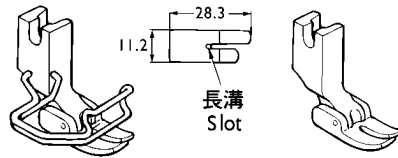
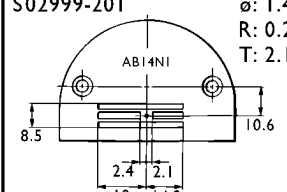
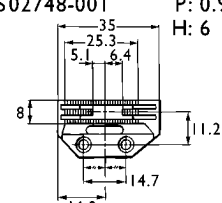
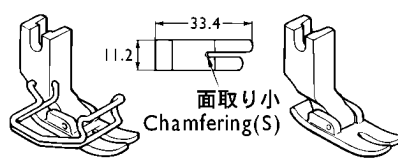
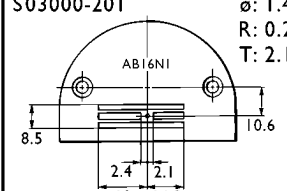
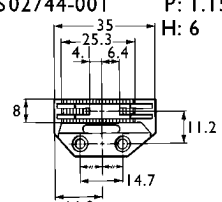
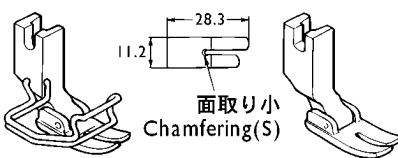
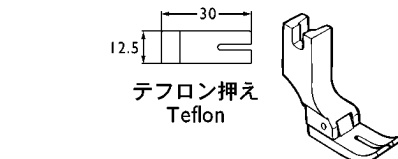
[Models, SL-7100, SL-710A, SL-7360, SL-737A]

用途 Application	針板 Needle plate 記号 Mark	送り歯 Feed dog	押工組 Presser foot assy
難素材用 Difficult-to-sew materials	AB12NI S38760-001  ø: 1.2 R: 0.2 T: 2.1	S02748-001 P: 0.9 H: 6 	S38190-001 S35777-101 
新素材用 Shin-gosen	AB14MI S35776-101  ø: 1.4 R: 0.2 T: 2.1		

# GAUGE PARTS LIST

4ROW

[Models, SL-7100, SL-710A, SL-7360, SL-737A]

用途 Application	針板 Needle plate		送り歯 Feed dog	押工組 Presser foot assy
	記号 Mark			
薄・中厚物用 Light & medium-weight materials	E12NI	S03882-201  ø: 1.2 R: 1 T: 2.1	S03885-001  P: 0.9 H: 6	S36902-001 I53037-201  長溝 Slot
	E14NI	S03883-201  ø: 1.4 R: 1 T: 2.1		S36905-001 I13280-101  面取り大 Chamfering(L)
	E14NI	I59859-201  ø: 1.4 R: 1(溝) (Slot) T: 2.1		S38189-001 I47531-101  面取り小 Chamfering(S)
	E12	S01107-101  ø: 1.2 R: 1 T: 2.1	S13684-001  P: 1.6 H: 6.7	S36906-101 I11856-101  長溝 Slot
	AB14NI	S02999-201  ø: 1.4 R: 0.2 T: 2.1	S02748-001  P: 0.9 H: 6	S38187-001 I40957-101  面取り小 Chamfering(S)
	AB16NI	S03000-201  ø: 1.4 R: 0.2 T: 2.1	S02744-001  P: 1.15 H: 6	S38188-001 I43711-101  面取り小 Chamfering(S)
				S01904-001  テフロン押え Teflon



# GAUGE PARTS LIST

4ROW

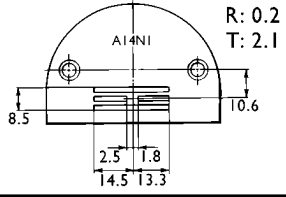
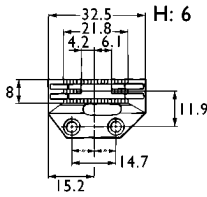
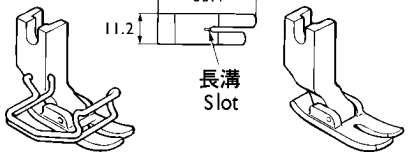
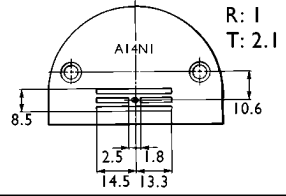
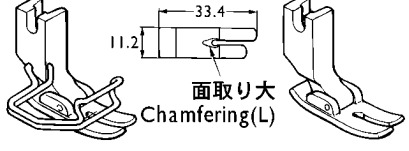
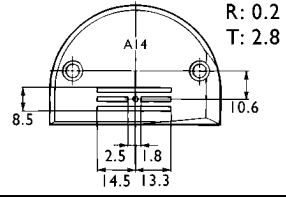
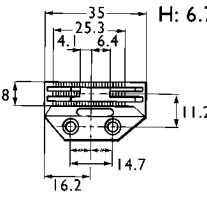
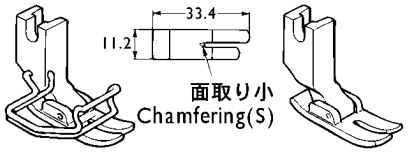
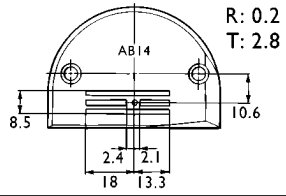
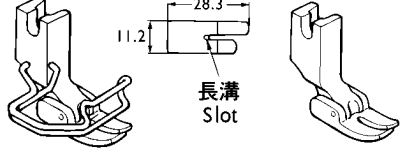
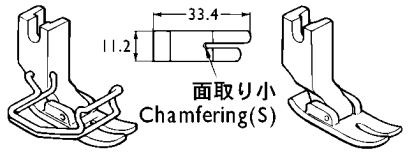
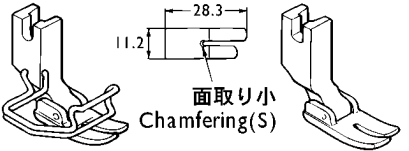
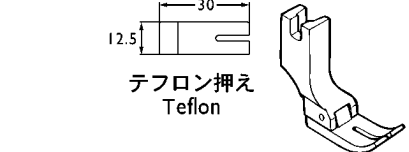
[Models, SL-7100, SL-710A, SL-7360, SL-737A]

用途 Application	針板 Needle plate		送り歯 Feed dog	押工組 Presser foot assy
	記号 Mark			
薄・中厚物用 Light & medium-weight materials	AB16	156115-001  ø: 1.6 R: 0.2 T: 2.8	S13684-001  P: 1.6 H: 6.7	S36902-001 153037-201  長溝 Slot
	AB18	156116-001  ø: 1.8 R: 0.2 T: 2.8		S36905-001 113280-101  面取り大 Chamfering(L)
	AB18M	S31910-001  ø: 1.8 R: 0.2 T: 2.8		S38189-001 147531-101  面取り小 Chamfering(S)
	E16NI	S03884-301  ø: 1.6 R: 1 T: 2.1	S03885-001  P: 0.9 H: 6	S36906-101 111856-101  長溝 Slot
	E16MI	S29648-101  ø: 1.6 R: 1 T: 2.1	111860-101  P: 1.15 H: 6	S38187-001 140957-101  面取り小 Chamfering(S)
	E18NI	111859-301  ø: 1.8 R: 1 T: 2.1		S38188-001 143711-101  面取り小 Chamfering(S)
	E18MI	S29647-101  ø: 1.8 R: 1 T: 2.1		S01904-001  テフロン押え Teflon

# GAUGE PARTS LIST

4ROW

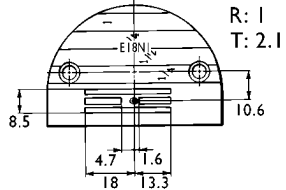
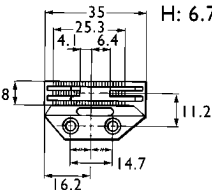
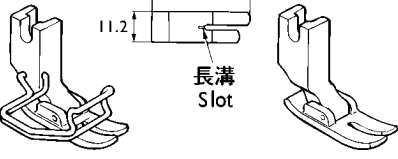
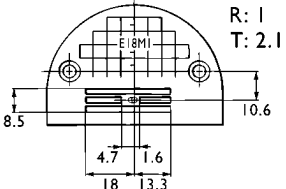
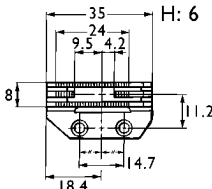
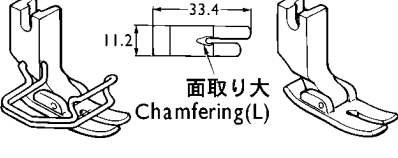

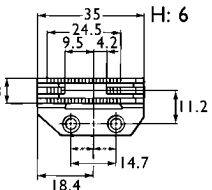
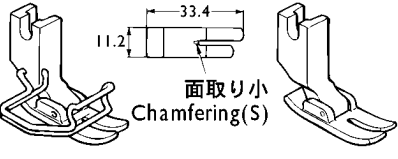
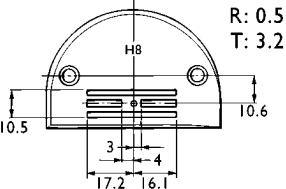
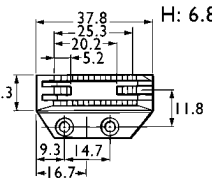
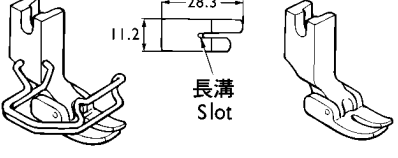

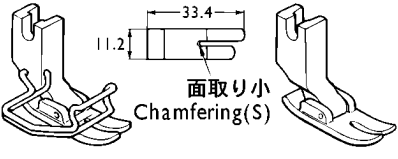
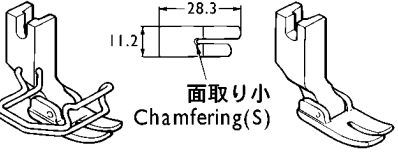


[Models, SL-7100, SL-710A, SL-7360, SL-737A]

用途 Application	針板 Needle plate 記号 Mark	送り歯 Feed dog	押工組 Presser foot assy
薄・中厚物用 Light & medium-weight materials	A14NI   146053-201  ø: 1.4 R: 0.2 T: 2.1	111898-001   P: 1.15  H: 6	S36902-001   153037-201  長溝 Slot
	A14NI   100603-201  ø: 1.4 R: 1 T: 2.1		S36905-001   113280-101  面取り大 Chamfering(L)
	A14   155676-001  ø: 1.4 R: 0.2 T: 2.8	S13684-001   P: 1.6  H: 6.7	S38189-001   147531-101  面取り小 Chamfering(S)
	AB14   156114-001  ø: 1.4 R: 0.2 T: 2.8		S36906-101   111856-101  長溝 Slot
			S38187-001   140957-101  面取り小 Chamfering(S)  S38188-001   143711-101  面取り小 Chamfering(S)  S01904-001  テフロン押え Teflon

# GAUGE PARTS LIST

4ROW

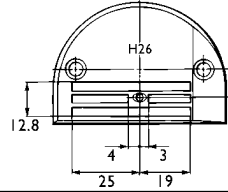
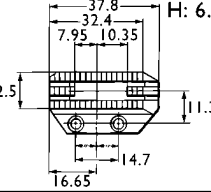
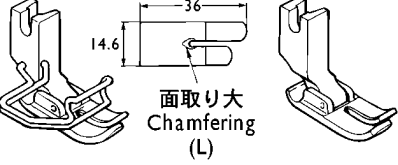
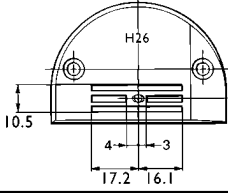
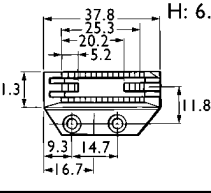
[Models, SL-7100, SL-710A, SL-7360, SL-737A]

用途 Application	針板 Needle plate 記号 Mark	送り歯 Feed dog	押工組 Presser foot assy
薄・中厚物用 Light & medium-weight materials	E18NI   111859-301  ∅: 1.8 R: 1 T: 2.1 Dimensions: 8.5, 10.6, 18, 13.3, 4.7, 1.6	S13684-001   P: 1.6  H: 6.7 Dimensions: 35, 25.3, 4.1, 6.4, 8, 11.2, 16.2, 14.7	S36902-001   153037-201  11.2, 33.4 長溝 Slot
	E18MI   S29647-101  ∅: 1.8 R: 1 T: 2.1 Dimensions: 8.5, 10.6, 18, 13.3, 4.7, 1.6	S03885-001   P: 0.9  H: 6 Dimensions: 35, 24, 9.5, 4.2, 8, 11.2, 18.4, 14.7	S36905-001   113280-101  11.2, 33.4 面取り大 Chamfering(L)
	H18   S30103-001  ∅: 1.8 R: 0.5 T: 3.2 Dimensions: 10.5, 10.6, 17.2, 16.1, 3, 4	111860-101   P: 1.15  H: 6 Dimensions: 35, 24.5, 9.5, 4.2, 8, 11.2, 18.4, 14.7	S38189-001   147531-101  11.2, 33.4 面取り小 Chamfering(S)
	S30103-001  ∅: 1.8 R: 0.5 T: 3.2 Dimensions: 10.5, 10.6, 17.2, 16.1, 3, 4	S25822-001   P: 1.8  H: 6.8 Dimensions: 37.8, 25.3, 20.2, 5.2, 11.3, 9.3, 14.7, 16.7	S36906-101   111856-101  11.2, 28.3 長溝 Slot
	S30103-001  ∅: 1.8 R: 0.5 T: 3.2 Dimensions: 10.5, 10.6, 17.2, 16.1, 3, 4	S38187-001   140957-101  11.2, 33.4 面取り小 Chamfering(S)	S38188-001   143711-101  11.2, 28.3 面取り小 Chamfering(S)
	S30103-001  ∅: 1.8 R: 0.5 T: 3.2 Dimensions: 10.5, 10.6, 17.2, 16.1, 3, 4	S01904-001  12.5, 30 テフロン押え Teflon	S01904-001 テフロン押え Teflon

# GAUGE PARTS LIST

4ROW

[Models, SL-7100, SL-710A, SL-7360, SL-737A]

用途 Application	針板 Needle plate 記号 Mark	送り歯 Feed dog	押工組 Presser foot assy
<b>厚物用</b> <b>Heavy-weight</b> <b>Materials</b>	H26 150792-001  $\varnothing: 2.6$ $R: 1$ $T: 3.2$	150793-001  $P: 1.8$ $H: 6.8$	S36903-001      150789-101  面取り大 Chamfering (L)
	H26 S25821-001  $\varnothing: 2.6$ $R: 1$ $T: 3.2$	S25822-001  $P: 1.8$ $H: 6.8$	