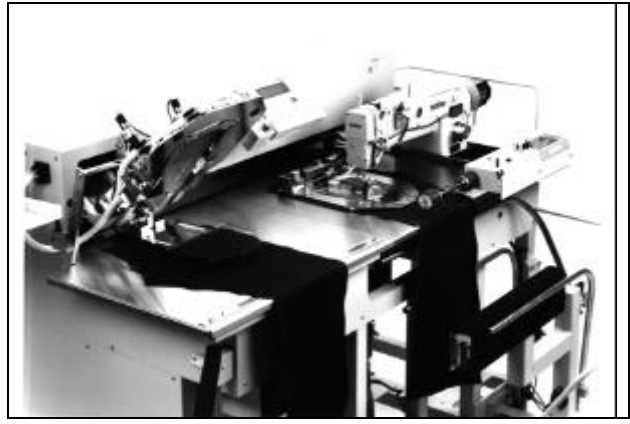


BAS-761

Automatic Pocket Setter (For Jeans)



Specifications

| | |
|--------------------------------|---|
| Machine head | Lockstitch and special zigzag stitch sewing machine with automatic thread trimmer |
| Application | Heavy materials (Jeans) |
| Sewing speed | 500 - 4,250 rpm (9-position selectable type) |
| Bar tack sewing speed | 500 - 3,500 rpm (7-position selectable type) |
| Stitch length | 0.1 - 6.0 mm |
| Stitch width | Max.3.5 mm (Dial control type) |
| Sewing area | (X) 250 × (Y) 250 mm |
| Needle | 1 |
| Rotary hook | × 2.4 |
| Thread trimmer | Included |
| Upper thread breakage detector | Included |
| Bobbin thread counter | Included |
| Stacker | Included |
| Floppy disk | 3.5" 2HD |
| Air pressure | 0.44 - 0.54 Mpa 200 l / min. |
| Power supply | 3-phase 200V, 220V, 380V, 400V, 415V 1,000 VA 900W |
| Machine dimensions | 1,919 (W) × 2,148 (L) × 970 Table (H) mm |
| Weight | 400 kg |

*There may be limits on the area available for some pocket types.

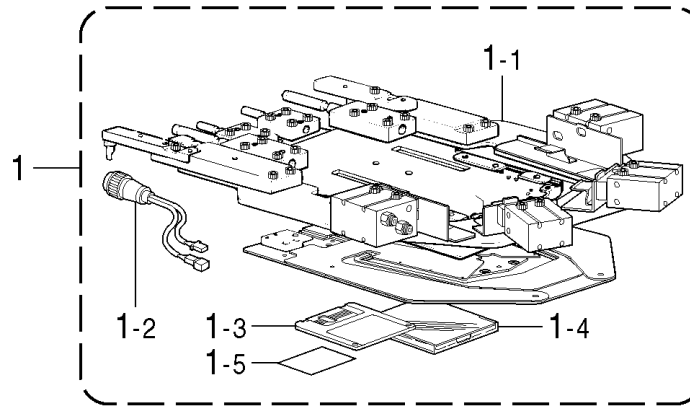
*The sewing speed may be limited by sewing conditions (such as stitch length, thread and material)

Productivity data (8-hour working shift)

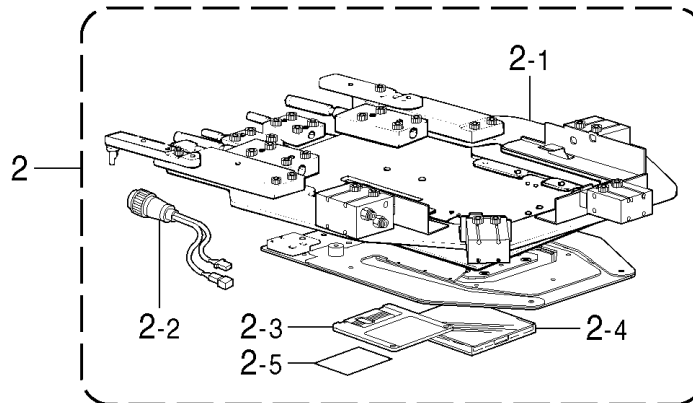
| | BAS-760 | BAS-761 |
|--|---------------|---------------|
| Cycle time (*1) (compared to previous models) | 10.5 sec. | 9.0 sec. |
| Margin ratio (*2) | 29 % | 25 % |
| Production quantity | 2,131 pockets | 2,550 pockets |

*1: The cycle time may vary slightly according to factors such as the pattern, pocket shape, stitch length and sewing speed.

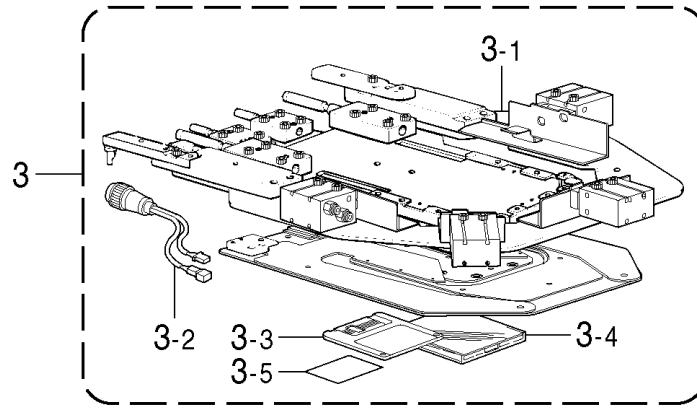
*2: The BAS-761 (2.4-time hook) requires fewer bobbin changes than the BAS-760 (1.7-time hook), so that the margin ratio has been reduced by 4 %.



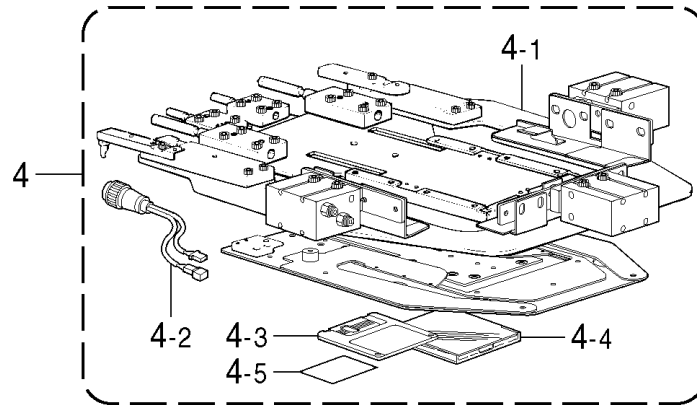
| Ref. No. | Part name | Part code | Q'ty |
|----------|------------------------------------|------------|------|
| 1 | F - group supply assy, 761 MI - 2J | S47646-XXX | 1 |
| 1-1 | F - group assy, triangle - J2 | S43653-XXX | 1 |
| 1-2 | Sensor harness, B retractable | S46702-000 | 1 |
| 1-3 | 3.5 media, 2HD | S43273-000 | 1 |
| 1-4 | Floppy case | S09989-000 | 1 |
| 1-5 | Index label, 3.5FD | S42658-000 | 1 |



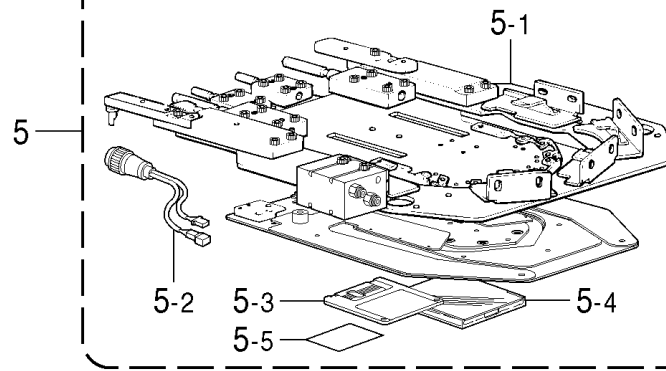
| Ref. No. | Part name | Part code | Q'ty |
|----------|------------------------------------|------------|------|
| 2 | F - group supply assy, 761 MI - J2 | S47647-XXX | 1 |
| 2-1 | F - group assy, miter - J2 | S43655-XXX | 1 |
| 2-2 | Sensor harness, B retractable | S46702-000 | 1 |
| 2-3 | 3.5 media, 2HD | S43273-000 | 1 |
| 2-4 | Floppy case | S09989-000 | 4 |
| 2-5 | Index label, 3.5FD | S42658-000 | 1 |



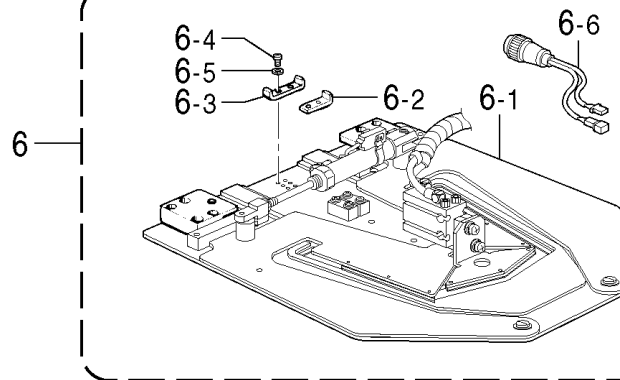
| Ref. No. | Part name | Part code | Q'ty |
|----------|------------------------------------|------------|------|
| 3 | F - group supply assy, 761 R - 1J2 | S47648-XXX | 1 |
| 3-1 | F - group assy, round - 1J2 | S47657-XXX | 1 |
| 3-2 | Sensor harness, B retractable | S46702-000 | 1 |
| 3-3 | 3.5 media, 2HD | S43273-000 | 1 |
| 3-4 | Floppy case | S09989-000 | 4 |
| 3-5 | Index label, 3.5FD | S42658-000 | 1 |



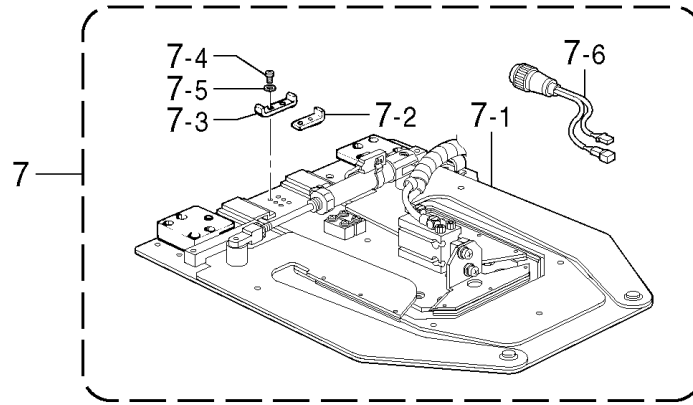
| Ref. No. | Part name | Part code | Q'ty |
|----------|----------------------------------|------------|------|
| 4 | F - group supply assy, 761 SQ-J2 | S47649-XXX | 1 |
| 4-1 | F - group assy, square - J2 | S43659-XXX | 1 |
| 4-2 | Sensor harness, B retractable | S46702-000 | 1 |
| 4-3 | 3.5 media, 2HD | S43273-000 | 1 |
| 4-4 | Floppy case | S09989-000 | 4 |
| 4-5 | Index label, 3.5FD | S42658-000 | 1 |



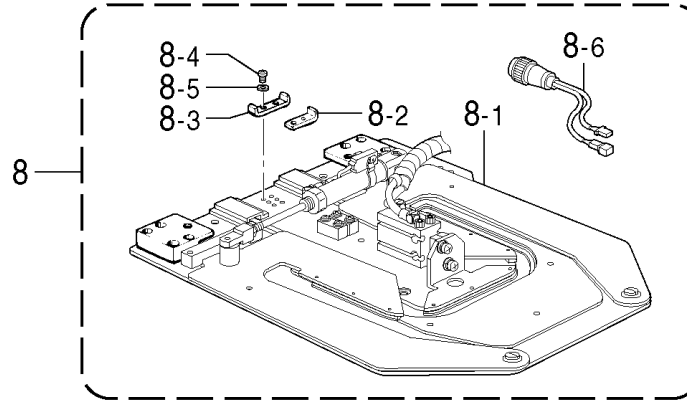
| Ref. No. | Part name | Part code | Q'ty |
|----------|------------------------------------|------------|------|
| 5 | F - group supply assy, 761 R - 2J2 | S47650-XXX | 1 |
| 5-1 | F - group assy, round - 2J2 | S38942-XXX | 1 |
| 5-2 | Sensor harness, B retractable | S46702-000 | 1 |
| 5-3 | 3.5 media, 2HD | S43273-000 | 1 |
| 5-4 | Floppy case | S09989-000 | 4 |
| 5-5 | Index label, 3.5FD | S42658-000 | 1 |



| Ref. No. | Part name | Part code | Q'ty |
|----------|------------------------------------|------------|------|
| 6 | F - group supply assy, 761 TR - J2 | S48386-XXX | 1 |
| 6-1 | F - group assy, triangle - J2 | S37506-XXX | 1 |
| 6-2 | Slit, C | S12111-001 | 3 |
| 6-3 | Slit, D | S12112-001 | 3 |
| 6-4 | Screw, pan M3 x 5 | 062300-502 | 6 |
| 6-5 | Washer, spring 2 - 3 | 028030-242 | 6 |
| 6-6 | Sensor harness, B retractable | S46702-000 | 1 |



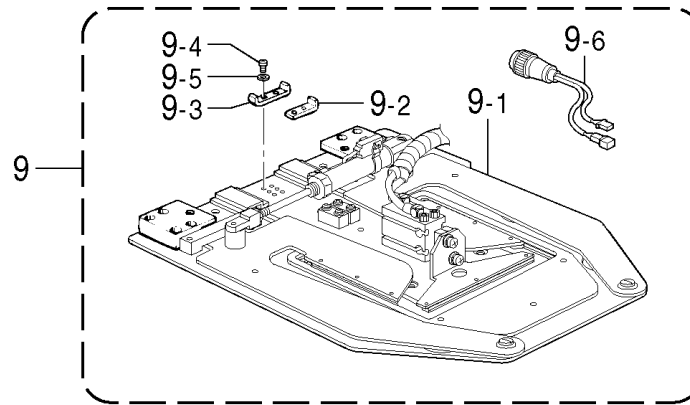
| Ref. No. | Part name | Part code | Q'ty |
|----------|------------------------------------|------------|------|
| 7 | F - group supply assy, 761 MI - J2 | S48387-XXX | 1 |
| 7-1 | F - group assy, miter - J2 | S38961-XXX | 1 |
| 7-2 | Slit, C | S12111-001 | 3 |
| 7-3 | Slit, D | S12112-001 | 3 |
| 7-4 | Screw, pan M3 × 5 | 062300-502 | 6 |
| 7-5 | Washer, spring 2 - 3 | 028030-242 | 6 |
| 7-6 | Sensor harness, B retractable | S46702-000 | 1 |



| Ref. No. | Part name | Part code | Q'ty |
|----------|------------------------------------|------------|------|
| 8 | F - group supply assy, 761 R - 1J2 | S48388-XXX | 1 |
| 8-1 | F - group assy, round - 1J2 | S37480-XXX | 1 |
| 8-2 | Slit, C | S12111-001 | 3 |
| 8-3 | Slit, D | S12112-001 | 3 |
| 8-4 | Screw, pan M3 × 5 | 062300-502 | 6 |
| 8-5 | Washer, spring 2 - 3 | 028030-242 | 6 |
| 8-6 | Sensor harness, B retractable | S46702-000 | 1 |

Attachment set (Option part)

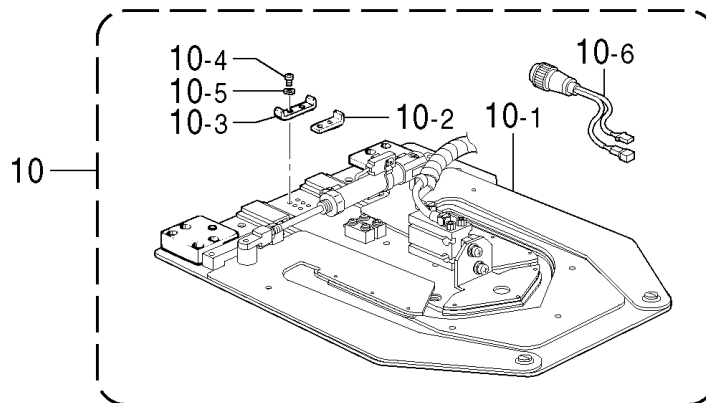
[BAS-761]



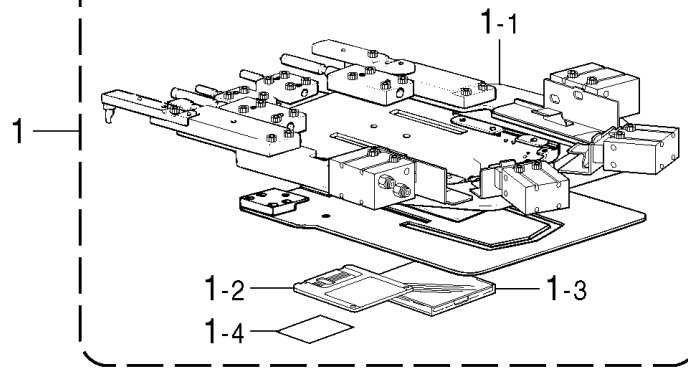
| Ref. No. | Part name | Part code | Q'ty |
|----------|------------------------------------|------------|------|
| 9 | F - group supply assy, 761 SQ - J2 | S48389-XXX | 1 |
| 9-1 | F - group assy, square - J2 | S38970-XXX | 1 |
| 9-2 | Slit, C | S12111-001 | 3 |
| 9-3 | Slit, D | S12112-001 | 3 |
| 9-4 | Screw, pan M3 × 5 | 062300-502 | 6 |
| 9-5 | Washer, spring 2 - 3 | 028030-242 | 6 |
| 9-6 | Sensor harness, B retractable | S46702-000 | 1 |

Attachment set (Option part)

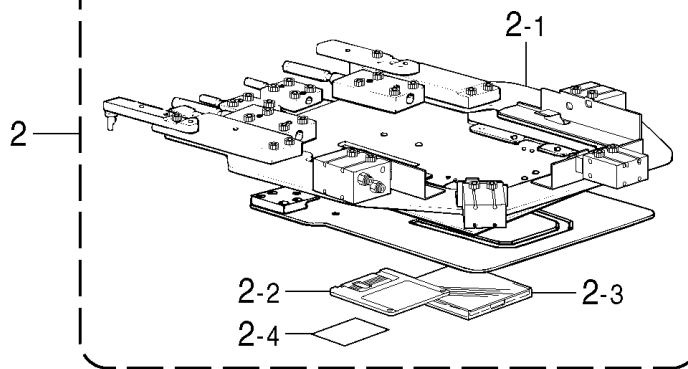
[BAS-761]



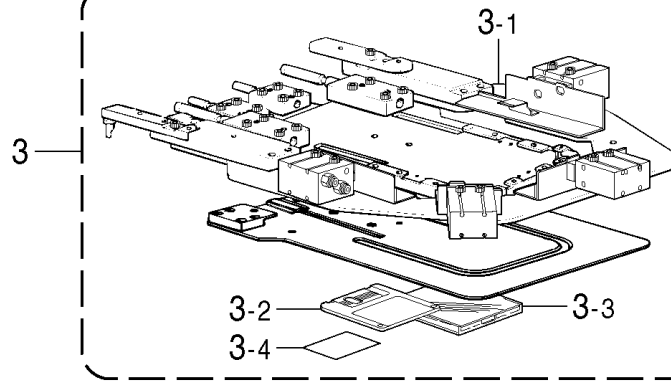
| Ref. No. | Part name | Part code | Q'ty |
|----------|------------------------------------|------------|------|
| 10 | F - group supply assy, 761 R - 2J2 | S48390-XXX | 1 |
| 10-1 | F - group assy, round - 2J2 | S38979-XXX | 1 |
| 10-2 | Slit, C | S12111-001 | 3 |
| 10-3 | Slit, D | S12112-001 | 3 |
| 10-4 | Screw, pan M3 × 5 | 062300-502 | 6 |
| 10-5 | Washer, spring 2 - 3 | 028030-242 | 6 |
| 10-6 | Sensor harness, B retractable | S46702-000 | 1 |



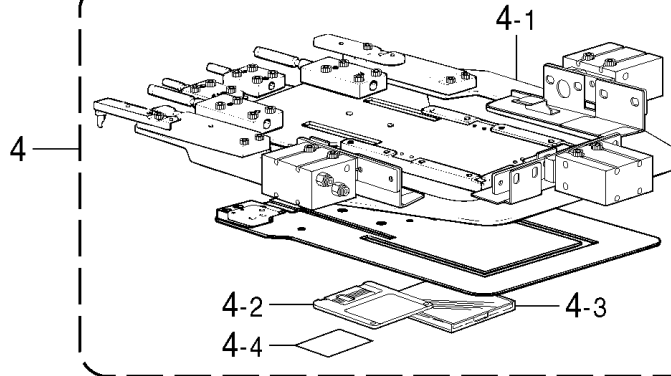
| Ref. No. | Part name | Part code | Q'ty |
|----------|------------------------------------|------------|------|
| 1 | F - group supply assy, 761 TRI - J | S47641-XXX | 1 |
| 1-1 | F - group assy, triangle - J | S43645-XXX | 1 |
| 1-2 | 3.5 media, 2HD | S43273-000 | 1 |
| 1-3 | Floppy case | S09989-000 | 1 |
| 1-4 | Index label, 3.5FD | S42658-000 | 1 |



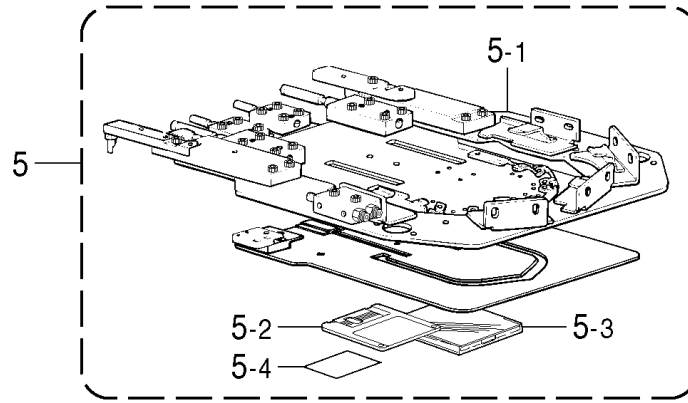
| Ref. No. | Part name | Part code | Q'ty |
|----------|------------------------------------|------------|------|
| 2 | F - group supply assy, 761 MIT - J | S47642-XXX | 1 |
| 2-1 | F - group assy, miter - J | S43647-XXX | 1 |
| 2-2 | 3.5 media, 2HD | S43273-000 | 1 |
| 2-3 | Floppy case | S09989-000 | 1 |
| 2-4 | Index label, 3.5FD | S42658-000 | 1 |



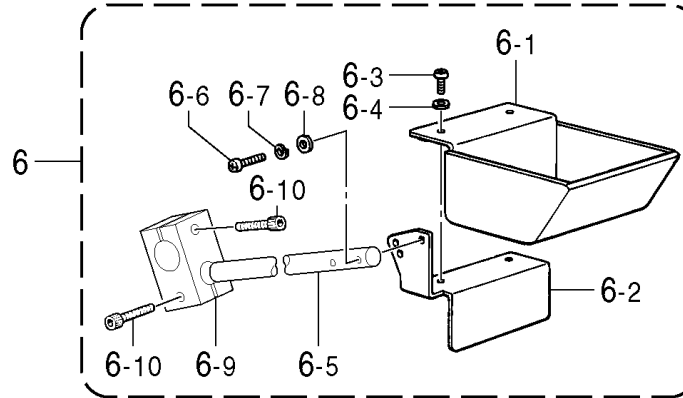
| Ref. No. | Part name | Part code | Q'ty |
|----------|------------------------------------|------------|------|
| 3 | F - group supply assy, 761 RO - 1J | S47643-XXX | 1 |
| 3-1 | F - group assy, round - 1J | S43649-XXX | 1 |
| 3-2 | 3.5 media, 2HD | S43273-000 | 1 |
| 3-3 | Floppy case | S09989-000 | 1 |
| 3-4 | Index label, 3.5FD | S42658-000 | 1 |



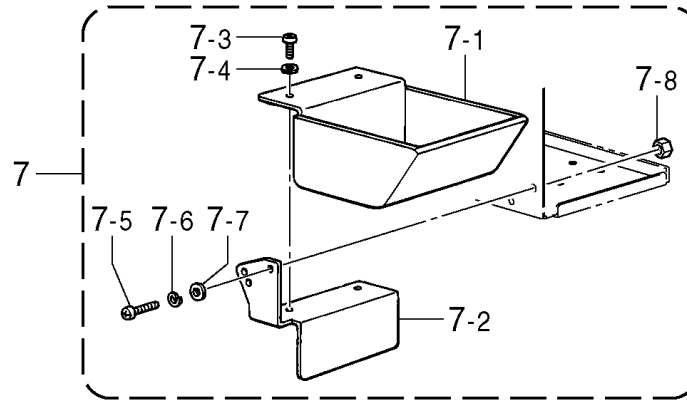
| Ref. No. | Part name | Part code | Q'ty |
|----------|------------------------------------|------------|------|
| 4 | F - group supply assy, 761 SQU - J | S47644-XXX | 1 |
| 4-1 | F - group assy, square - J | S43651-XXX | 1 |
| 4-2 | 3.5 media, 2HD | S43273-000 | 1 |
| 4-3 | Floppy case | S09989-000 | 1 |
| 4-4 | Index label, 3.5FD | S42658-000 | 1 |



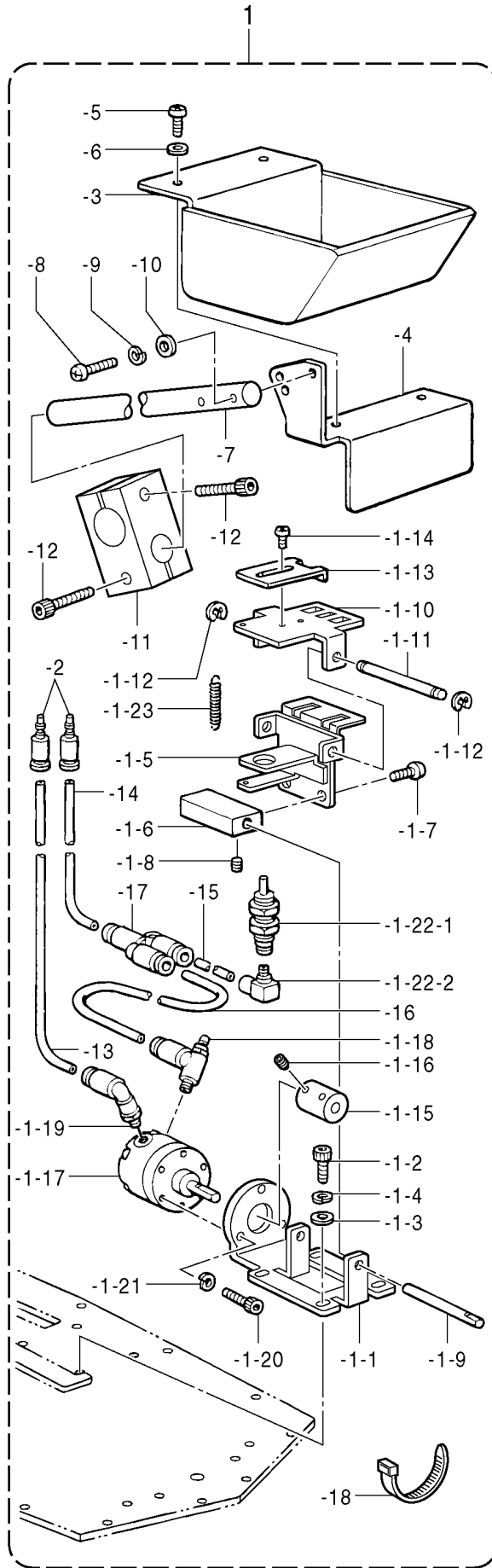
| Ref. No. | Part name | Part code | Q'ty |
|----------|------------------------------------|------------|------|
| 5 | F - group supply assy, 761 RO - 2J | S47645-XXX | 1 |
| 5-1 | F - group assy, round - 2J | S24833-XXX | 1 |
| 5-2 | 3.5 media, 2HD | S43273-000 | 1 |
| 5-3 | Floppy case | S09989-000 | 1 |
| 5-4 | Index label, 3.5FD | S42658-000 | 1 |



| Ref. No. | Part name | Part code | Q'ty |
|----------|-------------------------------|------------|------|
| | <For attaching a right label> | | |
| 6 | Label box assy, A | S48661-001 | 1 |
| 6-1 | Label box | S25044-000 | 1 |
| 6-2 | Label box base | S25045-001 | 1 |
| 6-3 | Screw, pan M4 x 8 | 062400-806 | 2 |
| 6-4 | Washer, plain M4 | 025040-233 | 2 |
| 6-5 | Setting bar | S25046-001 | 1 |
| 6-6 | Screw, pan M4 x 16 | 062401-616 | 2 |
| 6-7 | Washer, spring 2 - 4 | 028040-243 | 2 |
| 6-8 | Washer, plain M4 | 025040-233 | 2 |
| 6-9 | Support, setting bar | S24956-001 | 1 |
| 6-10 | Bolt, socket M5 x 20 | 018502-022 | 2 |



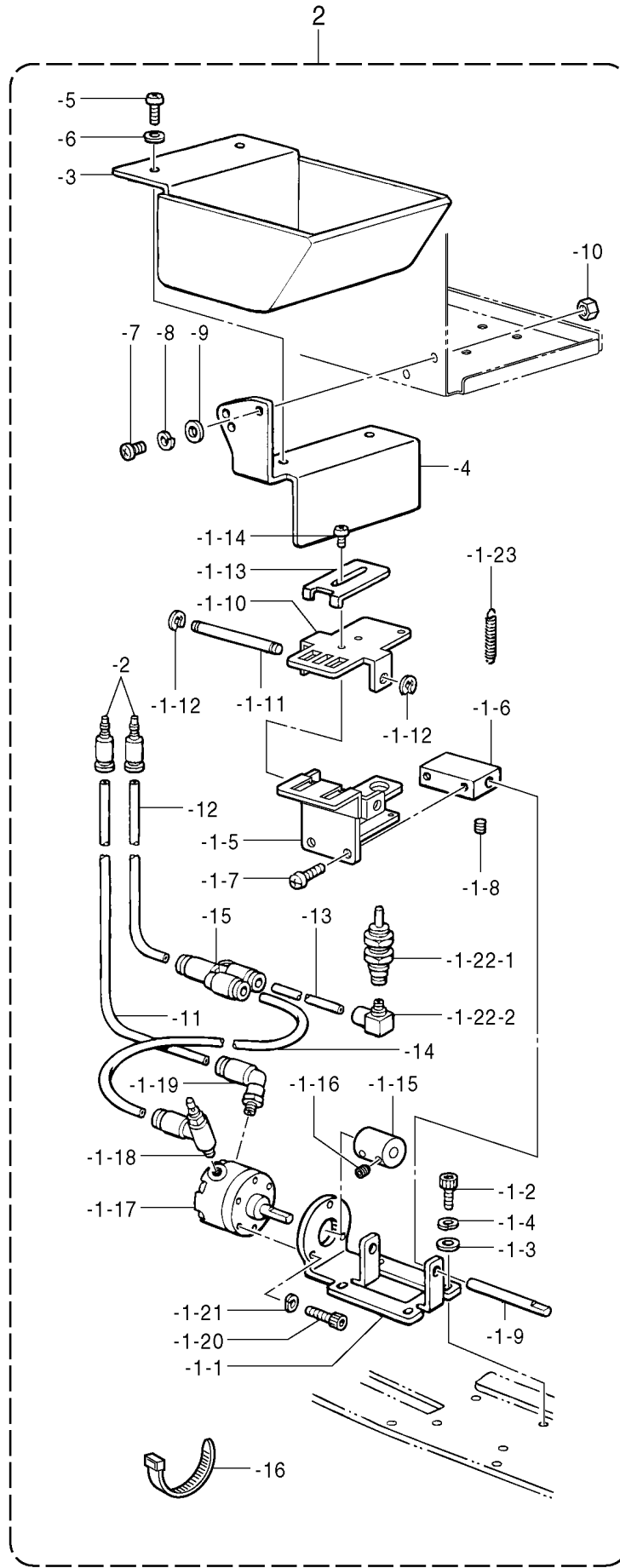
| Ref. No. | Part name | Part code | Q'ty |
|----------|------------------------------|------------|------|
| | <For attaching a left label> | | |
| 7 | Label box assy, B | S48654-001 | 1 |
| 7-1 | Label box | S25044-000 | 1 |
| 7-2 | Label box base | S25045-001 | 1 |
| 7-3 | Screw, pan M4 × 8 | 062400-806 | 2 |
| 7-4 | Washer, plain M4 | 025040-233 | 2 |
| 7-5 | Screw, pan M4 × 10 | 062401-006 | 2 |
| 7-6 | Washer, spring 2 - 4 | 028040-246 | 2 |
| 7-7 | Washer, plain M4 | 025040-236 | 2 |
| 7-8 | Nut, 2M4 | 021400-206 | 2 |



Attachment set (Option part)

[BAS-761]

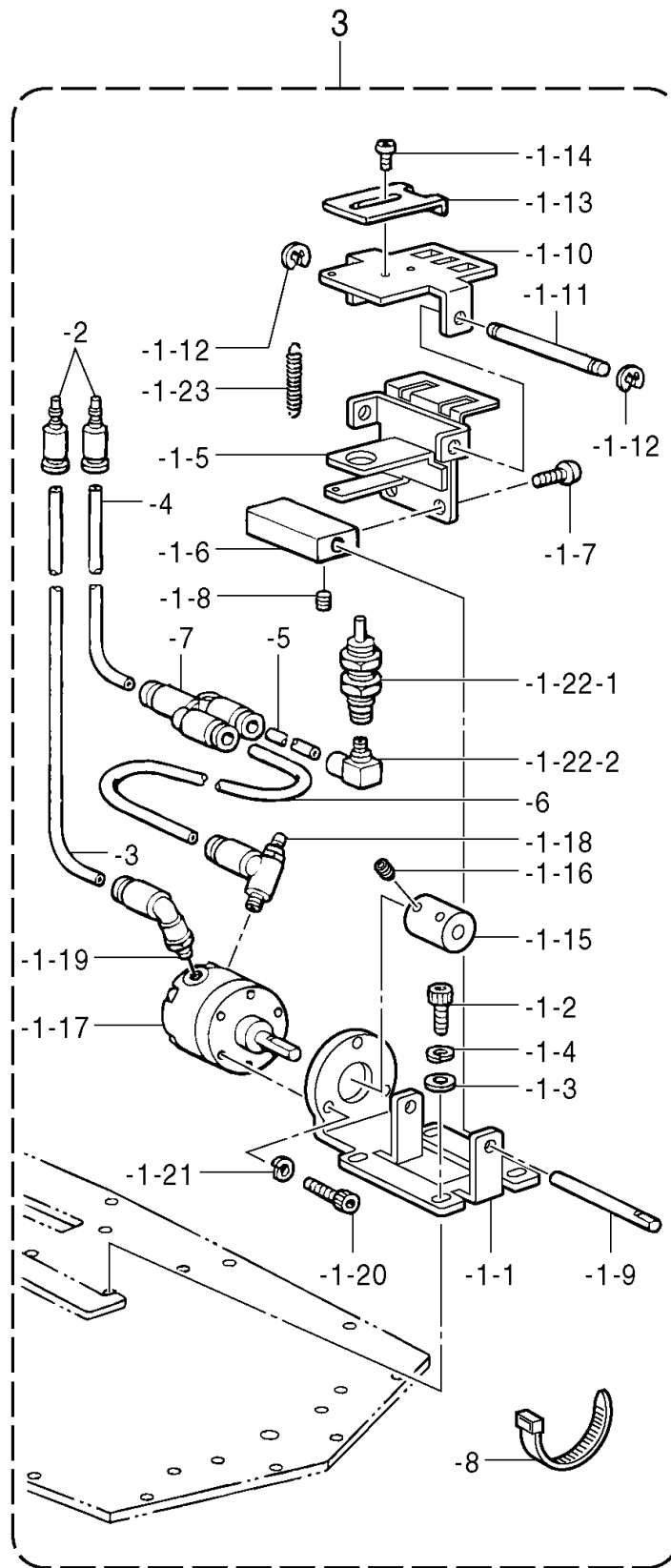
| Ref. No. | Part name | Part code | Q'ty |
|----------|-------------------------------|------------|------|
| | <For attaching a right label> | | |
| 1 | Labeling device, A | S25025-201 | 1 |
| 1-1 | Labeling assy | S25026-201 | 1 |
| 1-1-1 | Support plate | S25027-001 | 1 |
| 1-1-2 | Bolt, socket M4 × 8 | 018400-832 | 2 |
| 1-1-3 | Washer, plain M4 | 025040-232 | 2 |
| 1-1-4 | Washer, spring 2 - 4 | 028040-242 | 2 |
| 1-1-5 | Label bracket | S25028-101 | 1 |
| 1-1-6 | Shaft support | S25029-001 | 1 |
| 1-1-7 | Screw, bind M4 × 8 | 060400-816 | 2 |
| 1-1-8 | Set screw, socket (CP) M4 × 5 | 014400-522 | 2 |
| 1-1-9 | Shaft, B | S25030-001 | 1 |
| 1-1-10 | Clamp, label | S25031-101 | 1 |
| 1-1-11 | Shaft, A | S25032-001 | 1 |
| 1-1-12 | Retaining ring, E4 | 048040-342 | 2 |
| 1-1-13 | Label positional | S25033-001 | 1 |
| 1-1-14 | Screw, bind M3 × 4 | 060300-414 | 2 |
| 1-1-15 | Set screw collar | S41259-001 | 1 |
| 1-1-16 | Set screw, socket (CP) M4 × 5 | 014400-522 | 4 |
| 1-1-17 | Rotary cylinder | S25036-000 | 1 |
| 1-1-18 | Speed controller, out | S15567-000 | 1 |
| 1-1-19 | Elbow union, 4M5 | S11426-000 | 1 |
| 1-1-20 | Bolt, socket M3 × 12 | 018301-222 | 3 |
| 1-1-21 | Washer, spring 2 - 3 | 028030-242 | 3 |
| 1-1-22 | Pin cylinder assy | S25037-000 | 1 |
| 1-1-22-1 | Pin cylinder | S25038-000 | 1 |
| 1-1-22-2 | Tube elbow, M-5HL-4 | S12150-000 | 1 |
| 1-1-23 | Spring, extension | 118352-001 | 1 |
| 1-2 | Plug | S25040-000 | 2 |
| 1-3 | Label box | S25044-000 | 1 |
| 1-4 | Label box base | S25045-001 | 1 |
| 1-5 | Screw, pan M4 × 8 | 062400-806 | 2 |
| 1-6 | Washer, plain M4 | 025040-233 | 2 |
| 1-7 | Setting bar | S25046-001 | 1 |
| 1-8 | Screw, pan M4 × 16 | 062401-616 | 2 |
| 1-9 | Washer, spring 2 - 4 | 028040-243 | 2 |
| 1-10 | Washer, plain M4 | 025040-233 | 2 |
| 1-11 | Support, setting bar | S24956-001 | 1 |
| 1-12 | Bolt socket M5 × 20 | 018502-022 | 2 |
| 1-13 | Air tube, 4 × 2.5 - 4L = 260 | S12180-000 | 1 |
| 1-14 | Air tube, 4 × 2.5 - 3L = 190 | S12179-000 | 1 |
| 1-15 | Air tube, 4 × 2.5 - 2L = 130 | S12178-000 | 1 |
| 1-16 | Air tube, 4 × 2.5 - 36L = 75 | S25050-000 | 1 |
| 1-17 | Union, Y4 | S12104-000 | 1 |
| 1-18 | Band, 1M | S04159-000 | 1 |



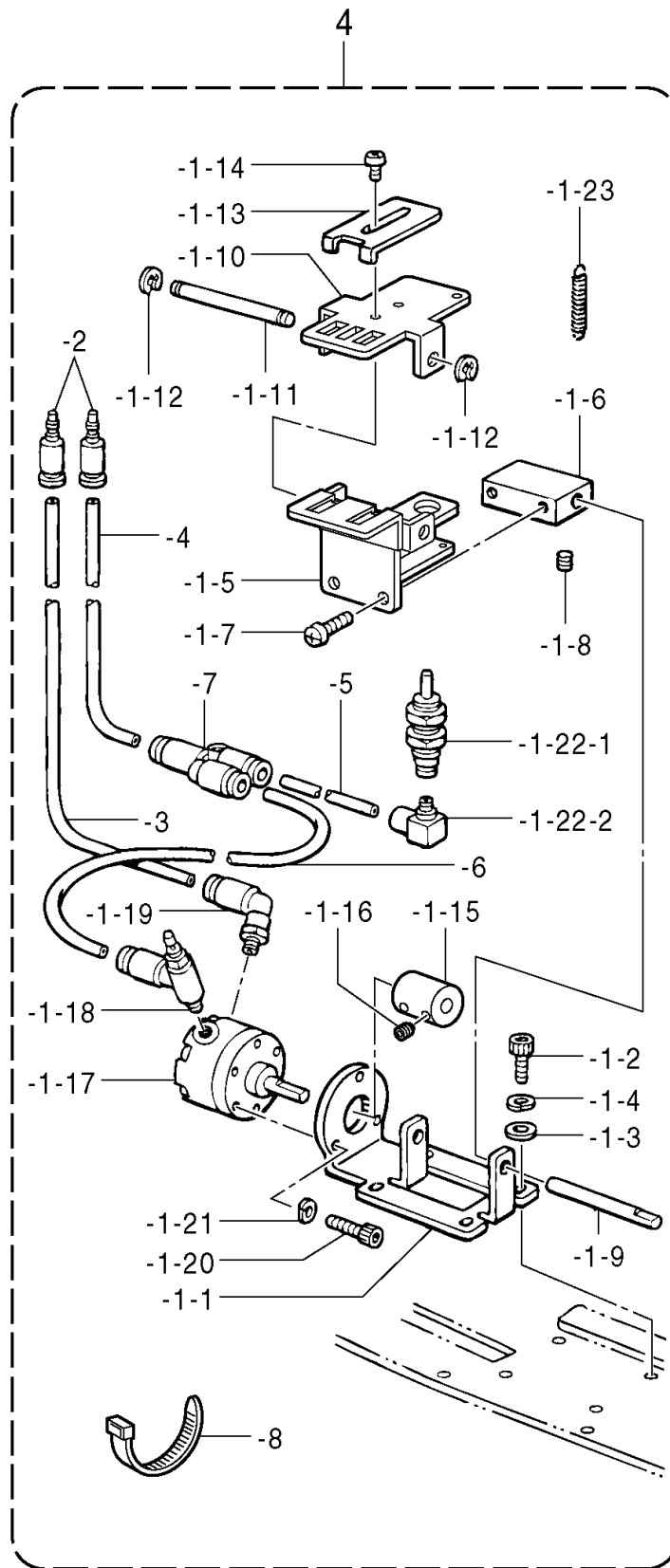
Attachment set (Option part)

[BAS-761]

| Ref. No. | Part name | Part code | Q'ty |
|----------|-------------------------------|------------|------|
| | <For attaching a left label> | | |
| 2 | Labeling device, B | S25047-201 | 1 |
| 2-1 | Labeling assy | S25026-201 | 1 |
| 2-1-1 | Support plate | S25027-001 | 1 |
| 2-1-2 | Bolt, socket M4 × 8 | 018400-832 | 2 |
| 2-1-3 | Washer, plain M4 | 025040-232 | 2 |
| 2-1-4 | Washer, spring 2 - 4 | 028040-242 | 2 |
| 2-1-5 | Label bracket | S25028-101 | 1 |
| 2-1-6 | Shaft support | S25029-001 | 1 |
| 2-1-7 | Screw, bind M4 × 8 | 060400-816 | 2 |
| 2-1-8 | Set screw, socket (CP) M4 × 5 | 014400-522 | 2 |
| 2-1-9 | Shaft, B | S25030-001 | 1 |
| 2-1-10 | Clamp, label | S25031-101 | 1 |
| 2-1-11 | Shaft, A | S25032-001 | 1 |
| 2-1-12 | Retaining ring, E4 | 048040-342 | 2 |
| 2-1-13 | Label positional | S25033-001 | 1 |
| 2-1-14 | Screw, bind M3 × 4 | 060300-414 | 2 |
| 2-1-15 | Set screw collar | S41259-001 | 1 |
| 2-1-16 | Set screw, socket (CP) M4 × 5 | 014400-522 | 4 |
| 2-1-17 | Rotary cylinder | S25036-000 | 1 |
| 2-1-18 | Speed controller, out | S15567-000 | 1 |
| 2-1-19 | Elbow union, 4M5 | S11426-000 | 1 |
| 2-1-20 | Bolt, socket M3 × 12 | 018301-222 | 3 |
| 2-1-21 | Washer, spring 2 - 3 | 028030-242 | 3 |
| 2-1-22 | Pin cylinder assy | S25037-000 | 1 |
| 2-1-22-1 | Pin cylinder | S25038-000 | 1 |
| 2-1-22-2 | Tube elbow, M - 5HL - 4 | S12150-000 | 1 |
| 2-1-23 | Spring, extension | 118352-001 | 1 |
| 2-2 | Plug | S25040-000 | 2 |
| 2-3 | Label box | S25044-000 | 1 |
| 2-4 | Label box base | S25045-001 | 1 |
| 2-5 | Screw, pan M4 × 8 | 062400-806 | 2 |
| 2-6 | Washer, plain M4 | 025040-233 | 2 |
| 2-7 | Screw, pan M4 × 8 | 062400-806 | 2 |
| 2-8 | Washer, spring 2 - 4 | 028040-243 | 2 |
| 2-9 | Washer, plain M4 | 025040-233 | 2 |
| 2-10 | Nut, 2M4 | 021400-206 | 2 |
| 2-11 | Air tube, 4 × 2.5 - 4L = 260 | S12180-000 | 1 |
| 2-12 | Air tube, 4 × 2.5 - 3L = 190 | S12179-000 | 1 |
| 2-13 | Air tube, 4 × 2.5 - 2L = 130 | S12178-000 | 1 |
| 2-14 | Air tube, 4 × 2.5 - 36L = 75 | S25050-000 | 1 |
| 2-15 | Union, Y4 | S12104-000 | 1 |
| 2-16 | Band, 1M | S04159-000 | 1 |



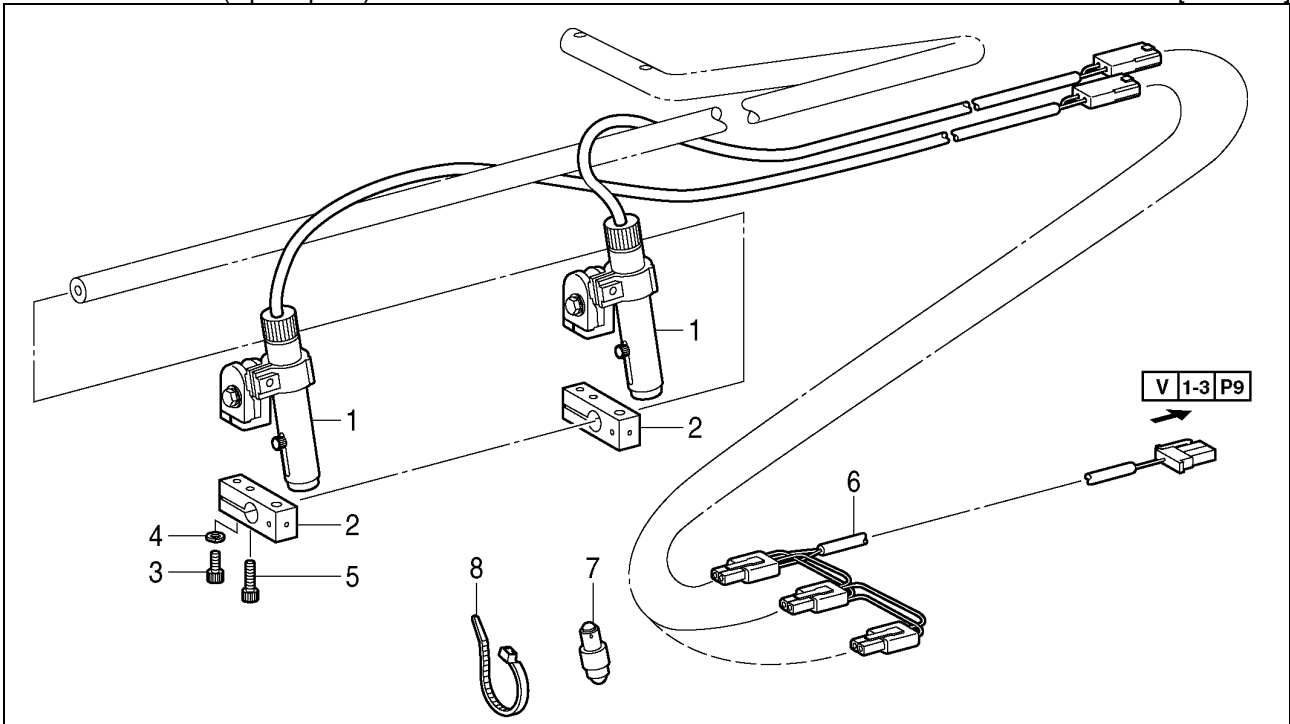
| Ref. No. | Part name | Part code | Q'ty |
|----------|-------------------------------|------------|------|
| | <For attaching a right label> | | |
| 3 | Labeling assy, A | S31971-201 | 1 |
| 3-1 | Labeling assy | S25026-201 | 1 |
| 3-1-1 | Support plate | S25027-001 | 1 |
| 3-1-2 | Bolt, socket M4 × 8 | 018400-832 | 2 |
| 3-1-3 | Washer, plain M4 | 025040-232 | 2 |
| 3-1-4 | Washer, spring 2 - 4 | 028040-242 | 2 |
| 3-1-5 | Label bracket | S25028-101 | 1 |
| 3-1-6 | Shaft support | S25029-001 | 1 |
| 3-1-7 | Screw, bind M4 × 8 | 060400-816 | 2 |
| 3-1-8 | Set screw, socket (CP) M4 × 5 | 014400-522 | 2 |
| 3-1-9 | Shaft, B | S25030-001 | 1 |
| 3-1-10 | Clamp, label | S25031-101 | 1 |
| 3-1-11 | Shaft, A | S25032-001 | 1 |
| 3-1-12 | Retaining ring, E4 | 048040-342 | 2 |
| 3-1-13 | Label positional | S25033-001 | 1 |
| 3-1-14 | Screw, bind M3 × 4 | 060300-414 | 2 |
| 3-1-15 | Set screw collar | S41259-001 | 1 |
| 3-1-16 | Set screw, socket (CP) M4 × 5 | 014400-522 | 4 |
| 3-1-17 | Rotary cylinder | S25036-000 | 1 |
| 3-1-18 | Speed controller, out | S15567-000 | 1 |
| 3-1-19 | Elbow union, 4M5 | S11426-000 | 1 |
| 3-1-20 | Bolt, socket M3 × 12 | 018301-222 | 3 |
| 3-1-21 | Washer, spring 2 - 3 | 028030-242 | 3 |
| 3-1-22 | Pin cylinder assy | S25037-000 | 1 |
| 3-1-22-1 | Pin cylinder | S25038-000 | 1 |
| 3-1-22-2 | Tube elbow, M - 5HL- 4 | S12150-000 | 1 |
| 3-1-23 | Spring, extension | 118352-001 | 1 |
| 3-2 | Plug | S25040-000 | 2 |
| 3-3 | Air tube, 4 × 2.5 - 4L = 260 | S12180-000 | 1 |
| 3-4 | Air tube, 4 × 2.5 - 3L = 190 | S12179-000 | 1 |
| 3-5 | Air tube, 4 × 2.5 - 2L = 130 | S12178-000 | 1 |
| 3-6 | Air tube, 4 × 2.5 - 36L = 75 | S25050-000 | 1 |
| 3-7 | Union, Y4 | S12104-000 | 1 |
| 3-8 | Band, 1M | S04159-000 | 1 |



Attachment set (Option part)

[BAS-761]

| Ref. No. | Part name | Part code | Q'ty |
|----------|-------------------------------|------------|------|
| | <For attaching a left label> | | |
| 4 | Labeling assy, B | S31972-201 | 1 |
| 4-1 | Labeling assy | S25026-201 | 1 |
| 4-1-1 | Support plate | S25027-001 | 1 |
| 4-1-2 | Bolt, socket M4 × 8 | 018400-832 | 2 |
| 4-1-3 | Washer, plain M4 | 025040-232 | 2 |
| 4-1-4 | Washer, spring 2 - 4 | 028040-242 | 2 |
| 4-1-5 | Label bracket | S25028-101 | 1 |
| 4-1-6 | Shaft support | S25029-001 | 1 |
| 4-1-7 | Screw, bind M4 × 8 | 060400-816 | 2 |
| 4-1-8 | Set screw, socket (CP) M4 × 5 | 014400-522 | 2 |
| 4-1-9 | Shaft, B | S25030-001 | 1 |
| 4-1-10 | Clamp, label | S25031-101 | 1 |
| 4-1-11 | Shaft, A | S25032-001 | 1 |
| 4-1-12 | Retaining ring, E4 | 048040-342 | 2 |
| 4-1-13 | Label positional | S25033-001 | 1 |
| 4-1-14 | Screw, bind M3 × 4 | 060300-414 | 2 |
| 4-1-15 | Set screw collar | S41259-001 | 1 |
| 4-1-16 | Set screw, socket (CP) M4 × 5 | 014400-522 | 4 |
| 4-1-17 | Rotary cylinder | S25036-000 | 1 |
| 4-1-18 | Speed controller, out | S15567-000 | 1 |
| 4-1-19 | Elbow union, 4M5 | S11426-000 | 1 |
| 4-1-20 | Bolt, socket M3 × 12 | 018301-222 | 3 |
| 4-1-21 | Washer, spring 2 - 3 | 028030-242 | 3 |
| 4-1-22 | Pin cylinder assy | S25037-000 | 1 |
| 4-1-22-1 | Pin cylinder | S25038-000 | 1 |
| 4-1-22-2 | Tube elbow, M - 5HL- 4 | S12150-000 | 1 |
| 4-1-23 | Spring, extension | 118352-001 | 1 |
| 4-2 | Plug | S25040-000 | 2 |
| 4-3 | Air tube, 4 × 2.5 - 4L = 260 | S12180-000 | 1 |
| 4-4 | Air tube, 4 × 2.5 - 3L = 190 | S12179-000 | 1 |
| 4-5 | Air tube, 4 × 2.5 - 2L = 130 | S12178-000 | 1 |
| 4-6 | Air tube, 4 × 2.5 - 36L = 75 | S25050-000 | 1 |
| 4-7 | Union, Y4 | S12104-000 | 1 |
| 4-8 | Band, 1M | S04159-000 | 1 |



| Ref. No. | Part name | Part code | Q'ty |
|----------|-----------------------|------------|------|
| 1 | Marking light assy, T | S27937-000 | 2 |
| 2 | Marker setter, right | S24958-001 | 2 |
| 3 | Bolt, socket M5 × 20 | 018502-036 | 2 |
| 4 | Washer, spring 2 - 5 | 028050-246 | 2 |
| 5 | Bolt, socket M5 × 30 | 018503-036 | 2 |
| 6 | Harness, marker | S46680-000 | 1 |
| 7 | Lamp, 5W | S08137-000 | 1 |
| 8 | Band, PLTIM | S04557-000 | 5 |