

# DB2-B727

# DB2-B728

Single Needle Top and Bottom Feed Lock  
Stitcher with Large Hook

Single Needle Top and Bottom Feed Lock  
Stitcher with Large Hook and Thread  
Trimmer



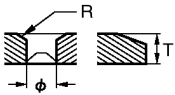
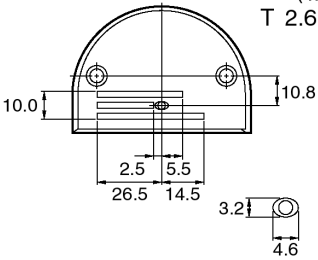
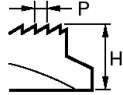
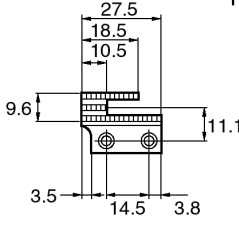

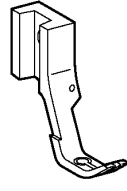
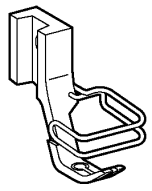
## Specifications

Model	B727	B728-305
Use	Heavy materials	
Max. sewing speed	2,000 rpm	
Max. stitch length	8 mm	
Needle bar stroke	37 mm	
Height of presser foot	Manual : 6.5 mm Knee : 16 mm	
Height of feed dog	1.2 mm	
Needle	DP × 17 #23	
Thread trimmer		<input type="checkbox"/> (Solenoid)
Quick reverse		<input type="checkbox"/> (Solenoid)

# GAUGE PARTS LIST

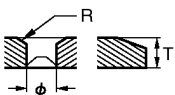
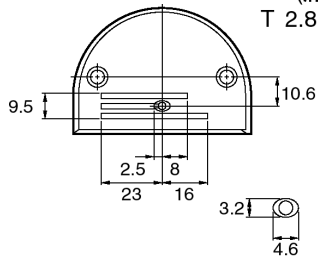
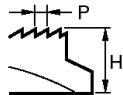
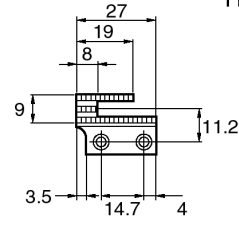

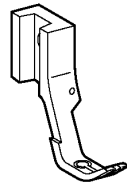
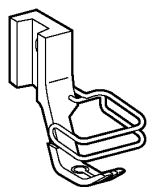
## Standard gauge

[DB2-B727]

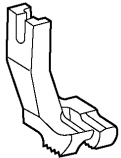

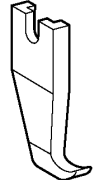
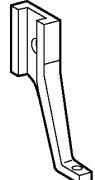

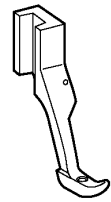
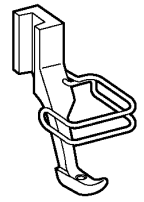
Needle plate	Feed dog	Standard feet		
		Walking foot	Presser foot	Presser foot assy, w/FG
 <p><math>\phi</math> 2.5 R 1(溝) T 2.6</p>  <p>SW0057-001</p>	 <p>P 1.6 H 6.6</p>  <p>SW0120-001</p>	 <p>SW0216-001</p>	 <p>SW0083-001</p>	 <p>SW0105-001</p>

## Standard gauge

[DB2-B728]

Needle plate	Feed dog	Standard feet		
		Walking foot	Presser foot	Presser foot assy, w/FG
 <p><math>\phi</math> 2.6 R 1(溝) T 2.8</p>  <p>147322-101</p>	 <p>P 1.6 H 6.7</p>  <p>S06629-001</p>	 <p>SW0216-001</p>	 <p>SW0083-001</p>	 <p>SW0105-001</p>

## Option gauge

Feet for piping		Narrow type feet for small parts		Reverse feet		
Walking foot	Presser foot	Walking foot	Presser foot	Walking foot	Presser foot	Presser foot assy, R-w/FG
 <p>151847-001: 6.4 mm (1/4) 151848-001: 7.9 mm (5/16) 151849-001: 9.5 mm (3/8)</p>	 <p>151850-001</p>	 <p>151851-001</p>	 <p>151852-001</p>	 <p>S04501-001</p>	 <p>S04502-101</p>	 <p>S36917-001</p>