

# LT2–B845 Mark II

Twin Needle Needle Feed Split Needle  
Bar Lock Stitcher

Twin Needle Needle Feed Split Needle  
Bar Lock Stitcher with Thread Trimmer



## Specifications

	*-1C.-3	-5	-7
Application	For medium materials	For heavy materials	For extra heavy materials
Max. speed	3,000 rpm		
Max. stitch length	5 mm		
Needle bar stroke	33.4 mm		
Thread take-up stroke	56.8 mm (With thread trimmer : 52 mm)		
Height of Presser foot	Manual	7 mm	
	Knee	13 mm (With thread wiper : 10 mm)	
	Auto-presser bar lifter	Solenoid type : 8 mm, Air type : 10 mm	
Height of feed dog	1 mm		
Needle	DP×5 #11 – #22		DP×17 #22
Hook	Horizontal rotary hook (vertical axis)		
Needle feed mechanism	Standard		
Single needle stop device	Standard		

	-400	-700	-900.–900S
Thread trimmer	Scissors type (Solenoid)		
Thread wiper	Solenoid type		
Quick reverse	Solenoid type		
Automatic presser bar lifter	–	Air type	Solenoid type

# LT2–B8450 Mark II

Twin Needle Needle Feed Split Needle  
Bar Lock Stitcher with Ply Sensor



## Specifications

	-903	-905	-907
Application	For medium materials	For heavy materials	For extra heavy materials
Max. speed	3,000 rpm		
Max. stitch length	5 mm		
Auto-presser bar lifter	8 mm		
Needle	DP×5 #14	DP×5 #22	DP×17 #22
Hook	Horizontal rotary hook (vertical axis)		
Thread trimmer	Scissors type (Solenoid)		
Thread wiper	Solenoid type		
Quick reverse	Solenoid type		
Automatic presser bar lifter	Solenoid type		

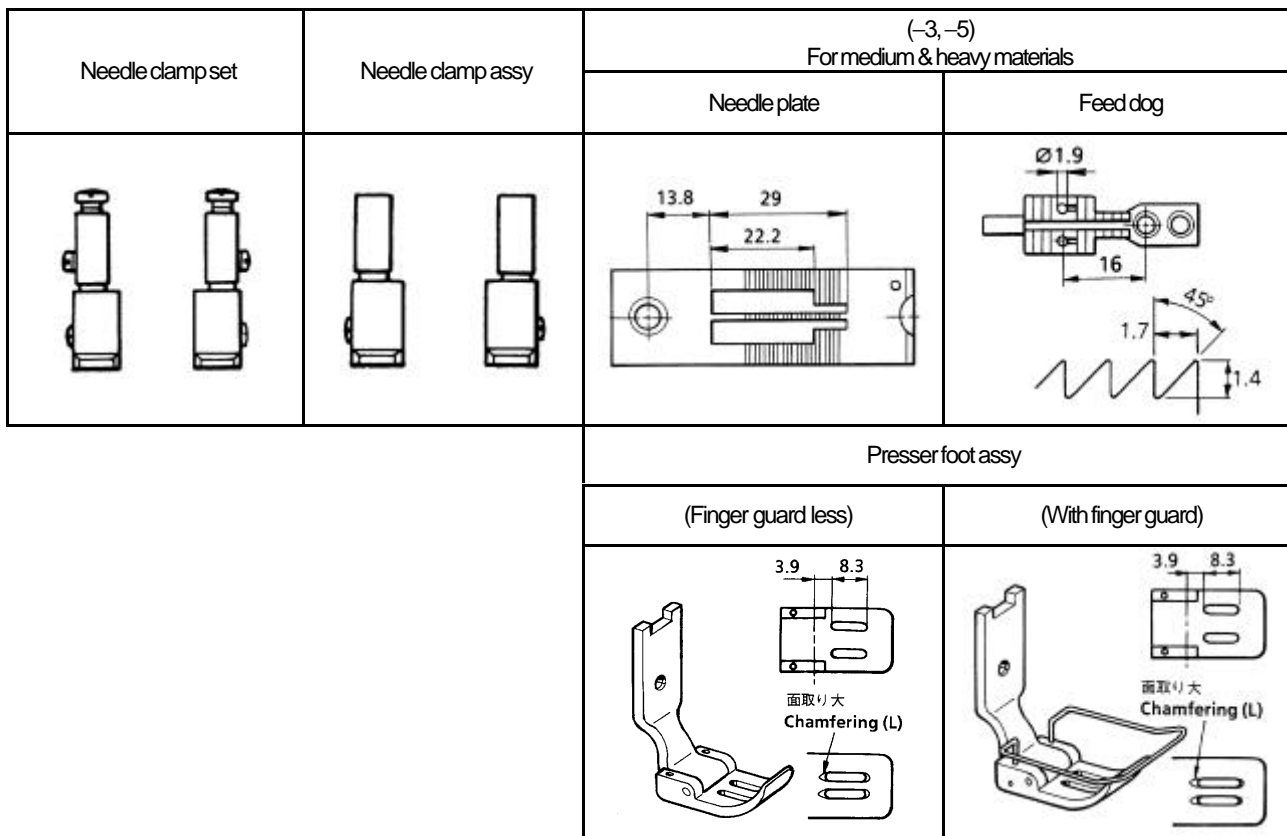
# B845 Mark II (For Standard)

## For normal

\*A maximum stitch width specification of 5/8" (15.9 mm) is available.

\*The ○ symbol is a presser foot assembly with finger guard.

Needle gauge (inch) (mm)	Needle clamp set	Needle clamp assy	For medium & heavy materials(-3, -5)		
			Needle plate	Feed dog	Presser foot assy
1/8 (3.2)	L:S15711-001 R:S15712-001	L:S15713-001 R:S15714-001	117369-001	114951-001	114948-001
5/32 (4.0)	L:S15717-001 R:S15718-001	L:S15719-001 R:S15720-001	150850-001	116509-001	116502-001
3/16 (4.8)	L:S15723-001 R:S15724-001	L:S15725-001 R:S15726-001	117133-001	112659-001	112638-001 S36546-001 ○
1/4 (6.4)	L:S15735-001 R:S15736-001	L:S15737-001 R:S15738-001	117367-001	112660-001	112642-001 S36548-001 ○
5/16 (7.9)	L:S15747-001 R:S15748-001	L:S15749-001 R:S15750-001	144882-001	112661-001	112645-001
3/8 (9.5)	L:S15753-001 R:S15754-001	L:S15755-001 R:S15756-001	144881-101	116510-101	116498-001
7/16 (11.1)	L:S15759-001 R:S15760-001	L:S15761-001 R:S15762-001	151596-001	151598-001	151597-101 ○
1/2 (12.7)	L:S15765-001 R:S15766-001	L:S15767-001 R:S15768-001	S09365-001	116511-001	116499-101 ○
5/8 (15.9)	L:S15771-001 R:S15772-001	L:S15773-001 R:S15774-001	159577-001	116512-001	116500-101 ○



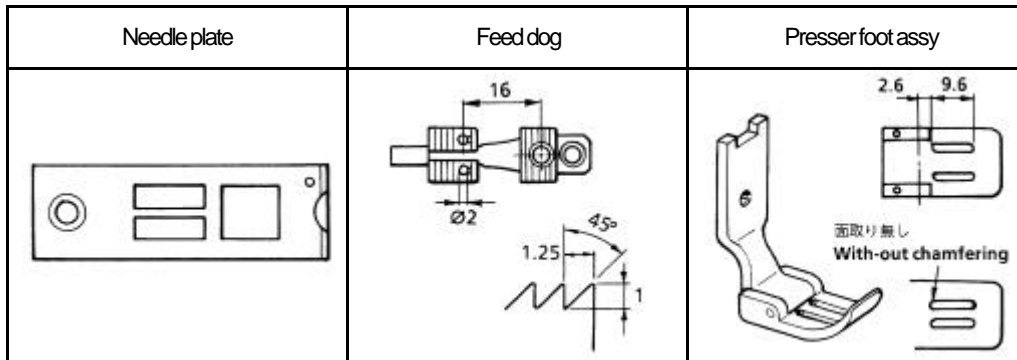
# B845 Mark II (For Standard)

## For sewing without material

\*The needle plate, the feed dog and the presser foot assembly are different from normal parts.

\*Use gauge components for sewing without material which have a maximum feed pitch of 4 mm or less.

Needle gauge (inch) (mm)	Needle clamp set	Needle clamp assy	Needle plate	Feed dog	Presser foot assy
3/16 (4.8)	L:S15723-001 R:S15724-001	L:S15725-001 R:S15726-001	S36010-101	S36011-101	S36012-001
1/4 (6.4)	L:S15735-001 R:S15736-001	L:S15737-001 R:S15738-001	S36025-001	S36024-001	S36022-001

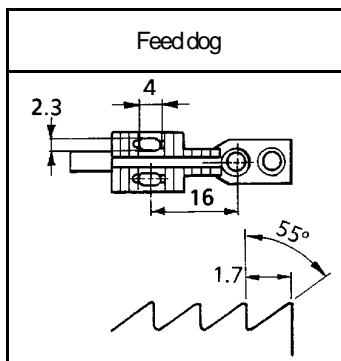


## **(-7) : For extra heavy materials**

\*The feed dog is different from normal parts.

\*The ○ symbol is a presser foot assembly with finger guard.

Needle gauge (inch) (mm)	Needle clamp set	Needle clamp assy	Needle plate	Feed dog	Presser foot assy
1/8 (3.2)	L:S15711-001 R:S15712-001	L:S15713-001 R:S15714-001	117369-001	158430-001	114948-001
3/16 (4.8)	L:S15723-001 R:S15724-001	L:S15725-001 R:S15726-001	117133-001	S13588-001	112638-001 S36546-001 ○
1/4 (6.4)	L:S15735-001 R:S15736-001	L:S15737-001 R:S15738-001	117367-001	153882-001	112642-001 S36548-001 ○
3/8 (9.5)	L:S15753-001 R:S15754-001	L:S15755-001 R:S15756-001	144881-101	153887-001	116498-001
1/2 (12.7)	L:S15765-001 R:S15766-001	L:S15767-001 R:S15768-001	S09365-001	153892-001	116499-101 ○
5/8 (15.9)	L:S15771-001 R:S15772-001	L:S15773-001 R:S15774-001	159577-001	153897-001	116500-101 ○



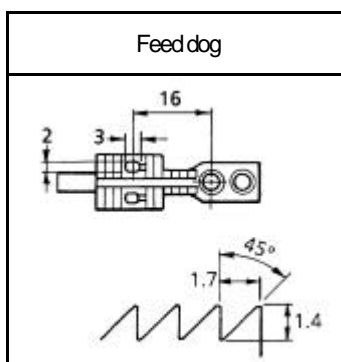
## **(-6) : For heavy materials**

\*-6 (for heavy materials) is a specification between -5 (for heavy materials) and -7 (for extra heavy materials).

\*The feed dog is different from normal parts.

\*The ○ symbol is a presser foot assembly with finger guard.

Needle gauge (inch) (mm)	Needle clamp set	Needle clamp assy	Needle plate	Feed dog	Presser foot assy
3/16 (4.8)	L:S15723-001 R:S15724-001	L:S15725-001 R:S15726-001	117133-001	S21149-001	112638-001 S36546-001 ○
1/4 (6.4)	L:S15735-001 R:S15736-001	L:S15737-001 R:S15738-001	117367-001	S21150-001	112642-001 S36548-001 ○

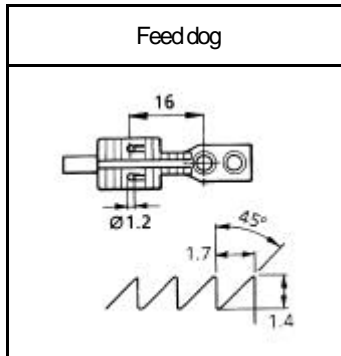


## (-1) : For light materials

\*The feed dog is different from normal parts.

\*The ○ symbol is a presser foot assembly with finger guard.

Needle gauge (inch) (mm)	Needle clamp set	Needle clamp assy	Needle plate	Feed dog	Presser foot assy
1/8 (3.2)	L:S15711-001 R:S15712-001	L:S15713-001 R:S15714-001	117369-001	S07880-001	114948-001
3/16 (4.8)	L:S15723-001 R:S15724-001	L:S15725-001 R:S15726-001	117133-001	S07878-001	112638-001 S36546-001 ○
1/4 (6.4)	L:S15735-001 R:S15736-001	L:S15737-001 R:S15738-001	117367-001	S07879-001	112642-001 S36548-001 ○

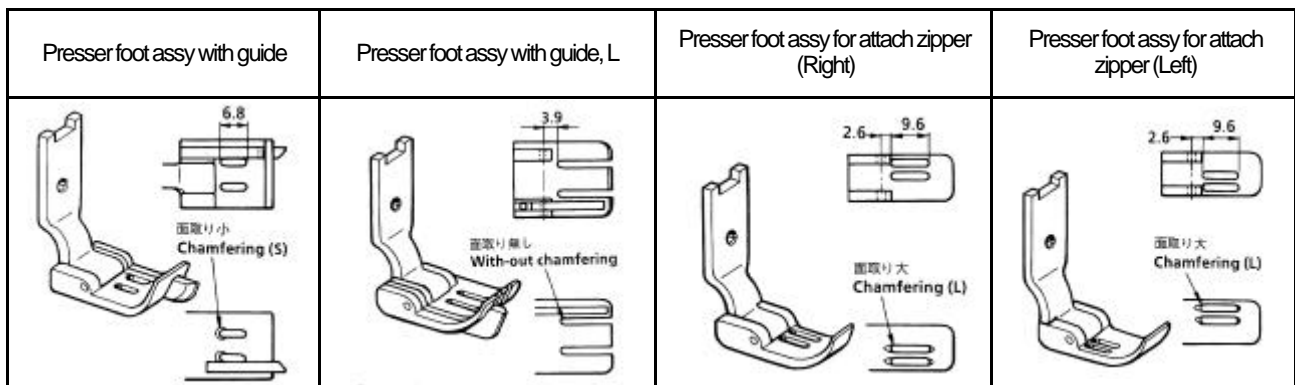


## Option parts

\*The presser foot assembly is different from normal parts.

\*The presser foot assembly with guide should be used with a maximum feed pitch of 4mm or less.

Name of parts	Needle gauge (inch) (mm)	Presser foot assy
Presser foot assy with guide	1/8 (3.2)	149311-001
	3/16 (4.8)	117281-001
	1/4 (6.4)	149312-001
Presser foot assy with guide, L	5/16 (7.9)	S13735-001
Presser foot assy for attach zipper (Right)	1/8 (3.2)	S14080-001
Presser foot assy for attach zipper (Left)	1/8 (3.2)	S33459-001



## B845 Mark II (For Thread trimmer)

### For normal

\*A maximum stitch width specification of 5/8" (15.9 mm) is available.

\*The ○ symbol is a presser foot assembly with finger guard.

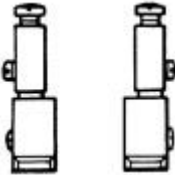
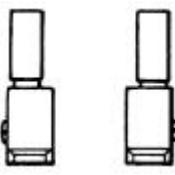
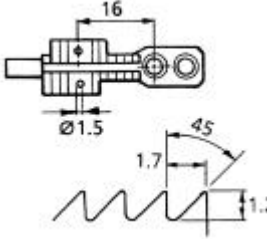
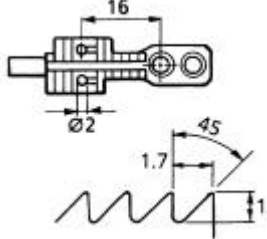
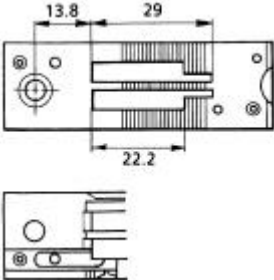



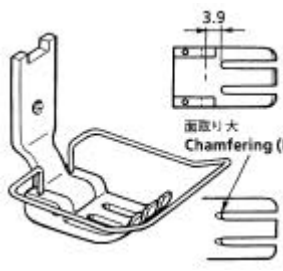
\*The thread trimming fixed knife (part No. S07527-001) and the installation screw (part No. 148539-101) are not provided with the needle plate, so they must be ordered separately if required.

\*In case of using the gauge set (2 / 32"), use needle size DB × 1(#7 - #18).

Needle gauge (inch) (mm)	Needle clamp set	Needle clamp assy	Needle plate			Feed dog		Presser foot assy	
			(-3,-5) For medium & heavy materials	(-3) For medium materials	(-5) For heavy materials	(-3) For medium materials	(-5) For heavy materials		
*3/32 (2.4)	L:S15705-001 R:S15706-001	L:S15707-001 R:S15708-001	159398-001		148697-001		148679-001		
1/8 (3.2)	L:S15711-001 R:S15712-001	L:S15713-001 R:S15714-001	155722-001	148698-001	148699-001	148685-001 S36550-001 ○	148681-001 S36522-001 ○		
5/32 (4.0)	L:S15717-001 R:S15718-001	L:S15719-001 R:S15720-001	155724-001	148700-001	148701-001	148689-001	148683-001		
3/16 (4.8)	L:S15723-001 R:S15724-001	L:S15725-001 R:S15726-001	155851-001	148702-001	148703-001	148687-001 S36554-001 ○	148691-001 S36556-001 ○		
7/32 (5.6)	L:S15729-001 R:S15730-001	L:S15731-001 R:S15732-001	156816-001	156818-001		156819-001			
1/4 (6.4)	L:S15735-001 R:S15736-001	L:S15737-001 R:S15738-001	155853-001	148704-001	148705-001	148693-001 S36558-001 ○	148695-001 S36560-001 ○		
9/32 (7.1)	L:S15741-001 R:S15742-001	L:S15743-001 R:S15744-001	S14530-001	S14532-001	S14533-001	S14534-001	S14536-001		
5/16 (7.9)	L:S15747-001 R:S15748-001	L:S15749-001 R:S15750-001	155855-001	149692-001	149691-001	149689-001	149687-001		
3/8 (9.5)	L:S15753-001 R:S15754-001	L:S15755-001 R:S15756-001	155857-001	149939-001	149938-001	149942-001	149940-001		
7/16 (11.1)	L:S15759-001 R:S15760-001	L:S15761-001 R:S15762-001	S01644-001	S01646-001		S01641-101 ○			
1/2 (12.7)	L:S15765-001 R:S15766-001	L:S15767-001 R:S15768-001	149677-001	149676-001	149675-001	149673-101 ○	149671-101 ○		
5/8 (15.9)	L:S15771-001 R:S15772-001	L:S15773-001 R:S15774-001	149954-001	149949-001	149948-001	149952-101 ○	149950-101 ○		

# B845 Mark II (For Thread trimmer)

## For normal

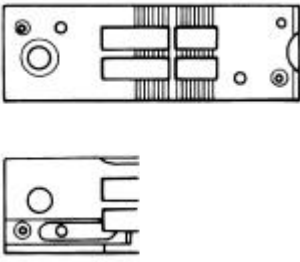
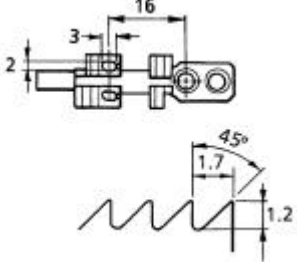

Needle clamp set	Needle clamp assy	Feed dog	
		(-3) For medium materials	(-5) For heavy materials
			
Needle plate		Presser foot assy	
(–3, –5) For medium & heavy materials		(-3) For medium materials	(-5) For heavy materials
			
			

## For sewing without material

\*The needle plate, the feed dog and the presser foot assembly are different from normal parts.

\*Use gauge components for sewing without material which have a maximum feed pitch of 4 mm or less.

Needle gauge (inch) (mm)	Needle clamp set	Needle clamp assy	Needle plate	Feed dog	Presser foot assy
3/16 (4.8)	L:S15723-001 R:S15724-001	L:S15725-001 R:S15726-001	S20901-001	S20905-001	S20903-001
1/4 (6.4)	L:S15735-001 R:S15736-001	L:S15737-001 R:S15738-001	S10507-001	S10509-101	S10510-001

Needle plate	Feed dog	Presser foot assy
		

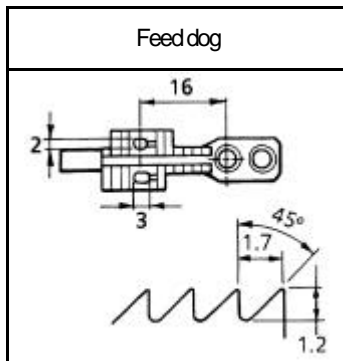


**(-7) : For extra heavy materials**

\*The feed dog is different from normal parts.

\*The O symbol is a presser foot assembly with finger guard.

Needle gauge (inch) (mm)	Needle clamp set	Needle clamp assy	Needle plate	Feed dog	Presser foot assy
3/16 (4.8)	L:S15723-001 R:S15724-001	L:S15725-001 R:S15726-001	155851-001	S07905-001	148691-001 S36556-001 O
1/4 (6.4)	L:S15735-001 R:S15736-001	L:S15737-001 R:S15738-001	155853-001	158756-001	148695-001 S36560-001 O



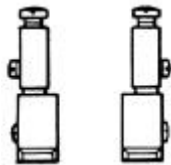
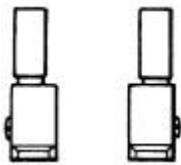
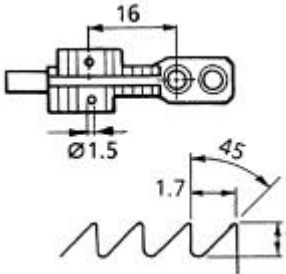
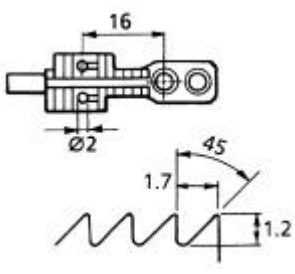
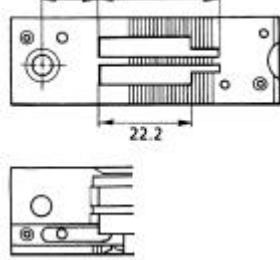



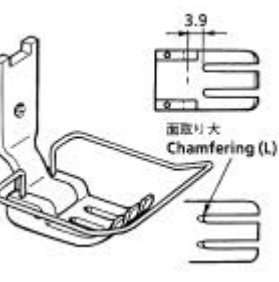
# B8450 Mark II (With ply sensor and thread trimmer)

## For normal

\*The thread trimming fixed knife (part No. S07527-001) and the installation screw (part No. 148539-101) are not provided with the needle plate, so they must be ordered separately if required.

\*The ○ symbol is a presser foot assembly with finger guard.

Needle gauge (inch) (mm)	Needle clamp set	Needle clamp assy	Needle plate	Feed dog		Presser foot assy	
			(-3,-5) For medium & heavy materials	(-3) For medium materials	(-5) For heavy materials	(-3) For medium & materials	(-5) For heavy materials
5/32 (4.0)	L:S15717-001 R:S15718-001	L:S15719-001 R:S15720-001	S13512-101	148700-001	148701-001	148689-001	148683-001
3/16 (4.8)	L:S15723-001 R:S15724-001	L:S15725-001 R:S15726-001	S13514-101	148702-001	148703-001	148687-001 S36554-001 ○	148691-001 S36556-001 ○
1/4 (6.4)	L:S15735-001 R:S15736-001	L:S15737-001 R:S15738-001	S13510-101	148704-001	148705-001	148693-001 S36558-001 ○	148695-001 S36560-001 ○
5/16 (7.9)	L:S15747-001 R:S15748-001	L:S15749-001 R:S15750-001	S13516-101	149692-001	149691-001	149689-001	149687-001
3/8 (9.5)	L:S15753-001 R:S15754-001	L:S15755-001 R:S15756-001	S13518-101	149939-001	149938-001	149942-001	149940-001

Needle clamp set	Needle clamp assy	Feed dog	
		(-3) For medium materials	(-5) For heavy materials
			
Needle plate		Presser foot assy	
( -3, -5) For medium & heavy materials		(-3) For medium materials	(-5) For heavy materials
			
			

**B8450 Mark II (With ply sensor and thread trimmer)**

**(-6) : For heavy materials**

\*-6 (for heavy materials) is a specification between -5 (for heavy materials) and -7 (for extra heavy materials).

\*The feed dog is different from normal parts.

\*The O symbol is a presser foot assembly with finger guard.

Needle gauge (inch) (mm)	Needle clamp set	Needle clamp assy	Needle plate	Feed dog	Presser foot assy
3/16 (4.8)	L:S15723-001 R:S15724-001	L:S15725-001 R:S15726-001	S13514-101	S07905-001	148691-001 S36556-001 O
1/4 (6.4)	L:S15735-001 R:S15736-001	L:S15737-001 R:S15738-001	S13510-101	158756-001	148695-001 S36560-001 O

