

PFAFF

1296

Unterklassen-Ausstattung

Subclass parts

Composition des sous-classes

Composición de las subclases

19.03

Unterklassen-Übersicht ▲

Table of subclasses

Table de sous-classes

Tabla de subclases

PFAFF 1296-706/07

Unterklasse Subclass Sous-classe Subclase	-6/01	-6/01	-6/01-900/56
Arbeitsgang Operation Opération Opération	Für allgemeine Näharbeiten. Standardform des Teilesatzes. For ordinary sewing operations. Standard part set. Travaux d'utilité courante. Jeu de pièces standard. Para trabajos de costura en general. Juego de piezas estándar.	Für allgemeine Näharbeiten. Standardform des Teilesatzes. For ordinary sewing operations. Standard part set. Travaux d'utilité courante. Jeu de pièces standard. Para trabajos de costura en general. Juego de piezas estándar.	Für allgemeine Näharbeiten. Standardform des Teilesatzes. For ordinary sewing operations. Standard part set. Travaux d'utilité courante. Jeu de pièces standard. Para trabajos de costura en general. Juego de piezas estándar.
Ausführung Model Version Tipo de máquina	BN	CN	CN
Nadelabstand in mm Needle gauge in mm Ecartement des aiguilles en mm Distancia entre agujas en mm	8,0; 12,0	3,2; 6,0; 6,4; 8,0; 10,0	3,2; 4,8; 6,0; 6,4; 8,0; 10,0; 12,0
Teilesatz vollst. Part set assy. Jeu de pièces complète Juego de piezas compl.	91-202 138-93/007 10 = 8,0 mm 91-202 138-93/004 10 = 12,0 mm	91-202 138-93/003 10 = 3,2 mm 91-202 138-93/001 10 = 6,0 mm 91-202 138-93/005 10 = 6,4 mm 91-202 138-93/006 10 = 8,0 mm 91-202 138-93/002 10 = 10,0 mm	91-202 139-93/002 10 = 3,2 mm 91-202 139-93/007 10 = 4,8 mm 91-202 139-93/006 10 = 6,0 mm 91-202 139-93/003 10 = 6,4 mm 91-202 139-93/004 10 = 8,0 mm 91-202 139-93/005 10 = 10,0 mm 91-202 139-93/001 10 = 12,0 mm
Nadelstange * Needle bar Barre à aiguille Barra de aguja	91-710 749-93/012 10 = 8,0 mm 91-710 749-93/017 10 = 12,0 mm	91-710 749-93/003 10 = 3,2 mm 91-710 749-93/009 10 = 6,0 mm 91-710 749-93/010 10 = 6,4 mm 91-710 749-93/012 10 = 8,0 mm 91-710 749-93/015 10 = 10,0 mm	91-710 749-93/003 10 = 3,2 mm 91-710 749-93/006 10 = 4,8 mm 91-710 749-93/009 10 = 6,0 mm 91-710 749-93/010 10 = 6,4 mm 91-710 749-93/012 10 = 8,0 mm 91-710 749-93/015 10 = 10,0 mm 91-710 749-93/017 10 = 12,0 mm
Stoffdrückerfuß 4 * Presser foot Pied presseur Pie prensateelas	91-040 429-04/008 10 = 8,0 mm 91-040 429-04/012 10 = 12,0 mm	91-040 429-04/041 10 = 3,2 mm 91-040 429-04/005 10 = 6,0 mm 91-040 429-04/007 10 = 6,4 mm 91-040 429-04/008 10 = 8,0 mm 91-040 429-04/010 10 = 10,0 mm	91-040 429-04/041 10 = 3,2 mm 91-040 429-04/006 10 = 4,8 mm 91-040 429-04/005 10 = 6,0 mm 91-040 429-04/007 10 = 6,4 mm 91-040 429-04/008 10 = 8,0 mm 91-040 429-04/010 10 = 10,0 mm 91-040 429-04/012 10 = 12,0 mm
Stoffschiebefuß 4 * Vibrating presser Pied entraîneur Transportador superior	91-049 267-93/040 10 = 8,0 mm 91-049 267-93/043 10 = 12,0 mm	91-049 267-93/002 10 = 3,2 mm 91-049 267-93/005 10 = 6,0 mm 91-049 267-93/006 10 = 6,4 mm 91-049 267-93/008 10 = 8,0 mm 91-049 267-93/010 10 = 10,0 mm	91-049 267-93/002 10 = 3,2 mm 91-049 267-93/004 10 = 4,8 mm 91-049 267-93/005 10 = 6,0 mm 91-049 267-93/006 10 = 6,4 mm 91-049 267-93/008 10 = 8,0 mm 91-049 267-93/010 10 = 10,0 mm 91-049 267-93/012 10 = 12,0 mm
Stichplatte 4 * Needle plate Plaque à aiguille Placa de aguja	91-158 551-04/010 10 = 8,0 mm 91-158 551-04/018 10 = 12,0 mm	91-158 551-04/002 10 = 3,2 mm 91-158 551-04/007 10 = 6,0 mm 91-158 551-04/008 10 = 6,4 mm 91-158 551-04/011 10 = 8,0 mm 91-158 551-04/015 10 = 10,0 mm	91-158 056-04/003 10 = 3,2 mm 91-158 056-04/005 10 = 4,8 mm 91-158 056-04/007 10 = 6,0 mm 91-158 056-04/009 10 = 6,4 mm 91-158 056-04/013 10 = 8,0 mm 91-158 056-04/015 10 = 10,0 mm 91-158 056-04/017 10 = 12,0 mm
Stoffschieber 4 * Feed dog Griffe Transportador inferior	91-040 447-04/023 10 = 8,0 mm 91-040 447-04/031 10 = 12,0 mm	91-047 814-04/009 10 = 3,2 mm 91-040 447-04/050 10 = 6,0 mm 91-040 447-04/051 10 = 6,4 mm 91-040 447-04/054 10 = 8,0 mm 91-040 447-04/057 10 = 10,0 mm	91-059 175-04/003 10 = 3,2 mm 91-059 175-04/005 10 = 4,8 mm 91-059 175-04/007 10 = 6,0 mm 91-059 175-04/009 10 = 6,4 mm 91-059 175-04/013 10 = 8,0 mm 91-059 175-04/015 10 = 10,0 mm 91-059 175-04/017 10 = 12,0 mm
Fingerschutz Finger guard Protège doigts Salvados	91-057 806-91	91-057 741-91 10 = 3,2 mm 91-057 806-91 10 = 6,0; 6,4; 8,0; 10,0 mm	91-057 741-91 10 = 3,2 mm 91-057 80691 10 = 4,8; 6,0; 6,4 8,0; 10,0; 12,0 mm

Unterklassen-Übersicht ▲

Table of subclasses

Table de sous-classes

Tabla de subclases

PFAFF 1296-706/07

19.03

Unterklasse Subclass Sous-classe Subclase	-63/14	-63/14-900/56	-63/15-900/56
Arbeitsgang Operation Opération Operación			
Ausführung Model Version Tipo de máquina	CN	CN	CN
Nadelabstand in mm Needle gauge in mm Ecartement des aiguilles en mm Distancia entre agujas en mm	8,0; 10,0	8,0; 10,0	8,0; 12,0
Teilesatz vollst. Part set Assy. Jeu de pièces complète Juego de piezas compl.	91-202 140-93/001 $\overline{10}$ = 8,0 mm 91-202 140-93/002 $\overline{10}$ = 10,0 mm	91-202 141-93/001 $\overline{10}$ = 8,0 mm 91-202 141-93/002 $\overline{10}$ = 10,0 mm	91-202 104-93/002 $\overline{10}$ = 8,0 mm 91-202 104-93/001 $\overline{10}$ = 12,0 mm
Nadelstange * Needle bar Barre à aiguille Barra de aguja	91-710 749-93/012 $\overline{10}$ = 8,0 mm 91-710 749-93/015 $\overline{10}$ = 10,0 mm	91-710 749-93/012 $\overline{10}$ = 8,0 mm 91-710 749-93/015 $\overline{10}$ = 10,0 mm	91-710 749-93/012 $\overline{10}$ = 8,0 mm 91-710 749-93/014 $\overline{10}$ = 12,0 mm
Stoffdrückerfuß $\overline{4}$ * Presser foot Pied presseur Pie prensatelas	91-040 429-04/008 $\overline{10}$ = 8,0 mm 91-040 429-04/010 $\overline{10}$ = 10,0 mm	91-040 429-04/008 $\overline{10}$ = 8,0 mm 91-040 429-04/010 $\overline{10}$ = 10,0 mm	91-040 429-04/008 $\overline{10}$ = 8,0 mm 91-040 429-04/012 $\overline{10}$ = 12,0 mm
Stoffschiebefuß $\overline{4}$ * Vibrating presser Pied entraineur Transportador superior	91-149 152-93/003 $\overline{10}$ = 8,0 mm 91-149 152-93/001 $\overline{10}$ = 10,0 mm	91-149 152-93/003 $\overline{10}$ = 8,0 mm 91-149 152-93/001 $\overline{10}$ = 10,0 mm	91-149 152-93/003 $\overline{10}$ = 8,0 mm 91-149 152-93/004 $\overline{10}$ = 12,0 mm
Stichplatte $\overline{4}$ * Needle plate Plaque à aiguille Placa de aguja	91-158 551-04/011 $\overline{10}$ = 8,0 mm 91-158 551-04/015 $\overline{10}$ = 10,0 mm	91-158 056-04/013 $\overline{10}$ = 8,0 mm 91-158 056-04/015 $\overline{10}$ = 10,0 mm	91-158 056-04/013 $\overline{10}$ = 8,0 mm 91-158 056-04/017 $\overline{10}$ = 12,0 mm
Stoffschieber $\overline{4}$ * Feed dog Griffe Transportador inferior	91-040 447-04/054 $\overline{10}$ = 8,0 mm 91-040 447-04/057 $\overline{10}$ = 10,0 mm	91-059 175-04/013 $\overline{10}$ = 8,0 mm 91-059 175-04/015 $\overline{10}$ = 10,0 mm	91-059 175-04/013 $\overline{10}$ = 8,0 mm 91-059 175-04/017 $\overline{10}$ = 12,0 mm
Fingerschutz * Finger guard Protège-doigts Salvados			
Bandtrommel Tape reel Tambour-ruban Tambor dérouleur	91-041 644-70/895	91-041 644-70/895	91-041 644-70/895
Bandführung Tape guide Guide-ruban Guiacintas	91-149 112-05 91-156 614-91 91-041 182-91 $\overline{5}$ 91-042 211-21 91-044 419-25	91-149 112-05 91-156 614-91 91-041 182-91 $\overline{5}$ 91-042 211-21 91-044 419-25	91-041 182-91 91-042 211-21 91-044 419-25 51-265 109-90 91-156 725-90

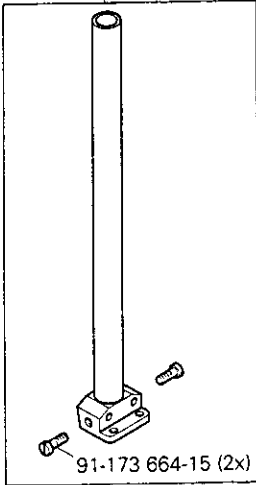


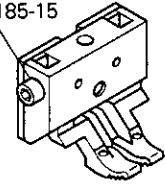



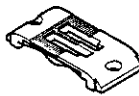




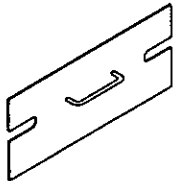
PFAFF

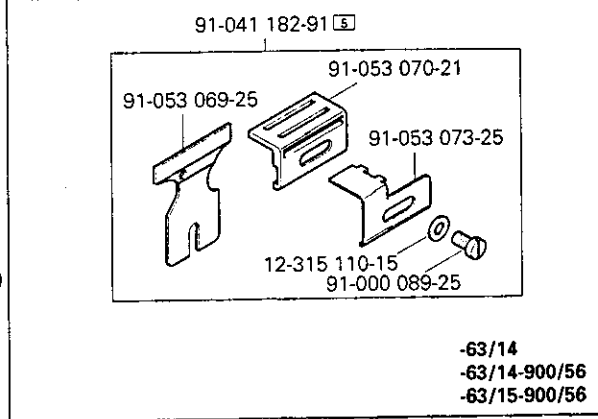
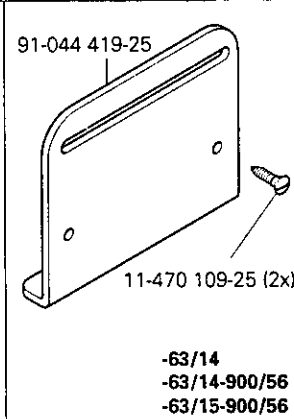
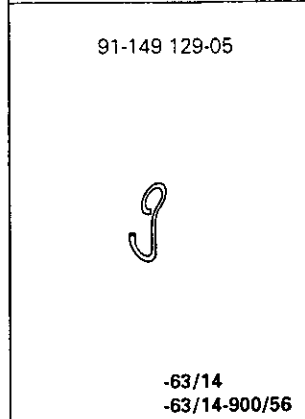
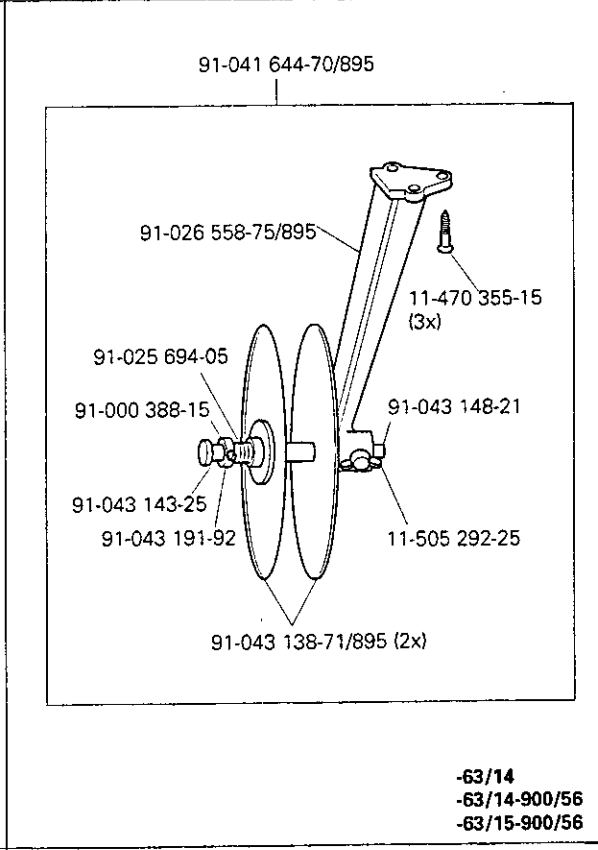
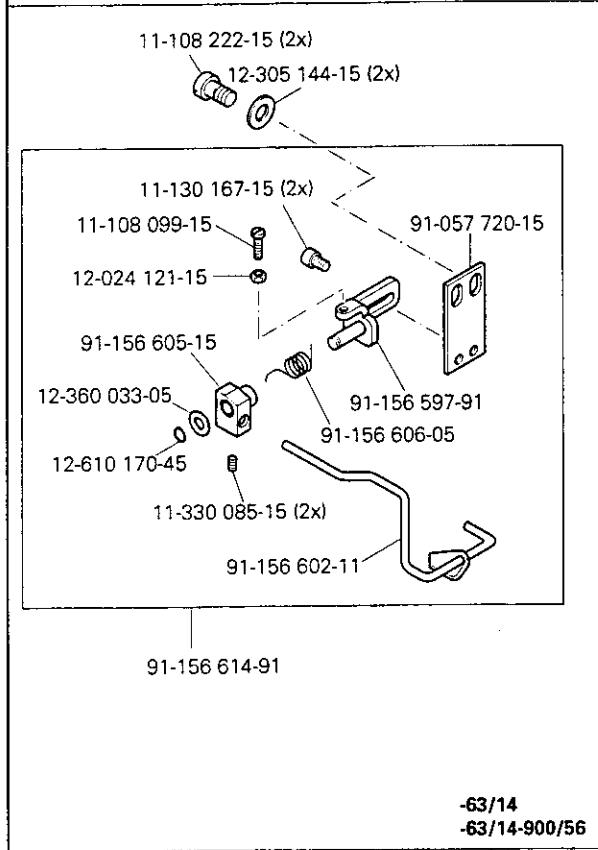
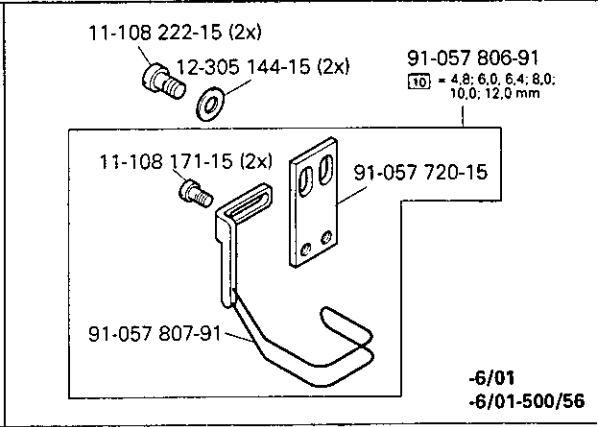
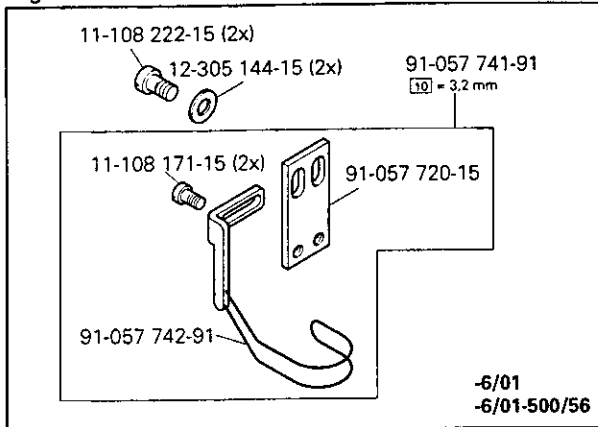
▲ Weitere Unterklassen und Ausführungen auf Anfrage
Further Subclasses and versions on enquiry
Autres sous-classes et modèles sur demande
Otras subclases y tipos, sobre demanda

* 1. Teilesatz vollständig enthalten
Included in full in the part set
Contenu intégralement dans le jeu de pièces
Incluido por completo en el juego de piezas

19.04

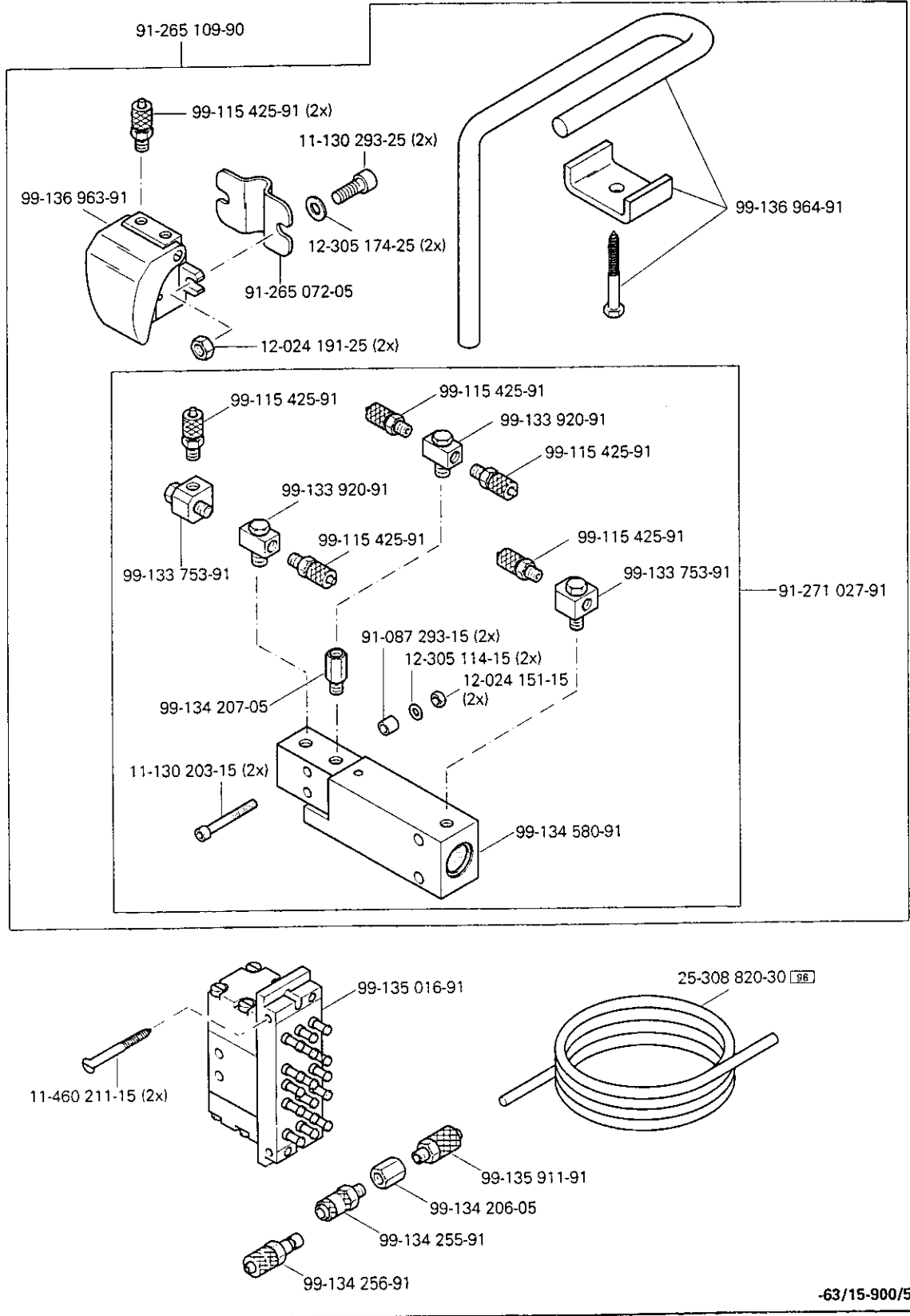
Nähwerkzeuge
 Gauge parts
 Organes de couture
 Organos de costura PFAFF 1296-706/07

<p>91-710 749-93/003 \square = 3.2 mm 91-710 749-93/006 \square = 4.8 mm 91-710 749-93/009 \square = 6.0 mm 91-710 749-93/010 \square = 6.4 mm 91-710 749-93/012 \square = 8.0 mm 91-710 749-93/015 \square = 10.0 mm 91-710 749-93/017 \square = 12.0 mm</p>  <p>91-173 664-15 (2x)</p> <p>-6/01 -6/01-500/56 -63/14 -63/14-900/56 -63/15-900/56</p>	<p>91-040 429-04/041 \square = 3.2 mm 91-040 429-04/006 \square = 4.8 mm 91-040 429-04/005 \square = 6.0 mm 91-040 429-04/007 \square = 6.4 mm 91-040 429-04/008 \square = 8.0 mm 91-040 429-04/010 \square = 10.0 mm 91-040 429-04/012 \square = 12.0 mm</p>  <p>-6/01 -6/01-500/56 -63/14 -63/14-900/56 -63/15-900/56</p>	<p>91-049 267-93/002 \square = 3.2 mm* 91-049 267-93/004 \square = 4.8 mm* 91-049 267-93/005 \square = 6.0 mm* 91-049 267-93/006 \square = 6.4 mm* 91-049 267-93/008 \square = 8.0 mm* 91-049 267-93/010 \square = 10.0 mm* 91-049 267-93/011 \square = 12.0 mm* 91-049 267-93/040 \square = 8.0 mm** 91-049 267-93/043 \square = 12.0 mm**</p> <p>* = CN ** = BN</p>  <p>91-000 085-25</p> <p>-6/01 -6/01-500/56</p>	<p>91-149 152-93/003 \square = 8.0 mm 91-149 152-93/001 \square = 10.0 mm 91-149 152-93/004 \square = 12.0 mm</p>  <p>11-130 185-15</p> <p>-63/14 -63/14-900/56 -63/15-900/56</p> <p>91-158 056-04/003 \square = 3.2 mm</p>  <p>-6/01-900/56</p>
<p>91-158 056-04/005 \square = 4.8 mm 91-158 056-04/007 \square = 6.0 mm 91-158 056-04/009 \square = 6.4 mm 91-158 056-04/013 \square = 8.0 mm 91-158 056-04/015 \square = 10.0 mm 91-158 056-04/017 \square = 12.0 mm</p>  <p>-6/01-900/56 -63/14-900/56 -63/15-900/56</p>	<p>91-158 551-04/002 \square = 3.2 mm</p>  <p>-6/01 -63/14</p>	<p>91-158 551-04/007 \square = 6.0 mm* 91-158 551-04/008 \square = 6.4 mm* 91-158 551-04/010 \square = 8.0 mm* 91-158 551-04/011 \square = 8.0 mm* 91-158 551-04/015 \square = 10.0 mm* 91-158 551-04/018 \square = 12.0 mm**</p> <p>* = CN ** = BN</p>  <p>-6/01 -63/14</p>	<p>91-040 447-04/023 \square = 8.0 mm** 91-040 447-04/031 \square = 12.0 mm** 91-040 447-04/050 \square = 6.0 mm* 91-040 447-04/051 \square = 6.4 mm* 91-040 447-04/054 \square = 8.0 mm* 91-040 447-04/057 \square = 10.0 mm*</p> <p>* = CN ** = BN</p>  <p>-6/01 -63/14</p>
<p>91-047 814-04/009 \square = 3.2 mm</p>  <p>-6/01</p>	<p>91-059 175-04/003 \square = 3.2 mm</p>  <p>-6/01-900/56</p>	<p>91-059 175-04/005 \square = 4.8 mm 91-059 175-04/007 \square = 6.0 mm 91-059 175-04/009 \square = 6.4 mm 91-059 175-04/013 \square = 8.0 mm 91-059 175-04/015 \square = 10.0 mm 91-059 175-04/017 \square = 12.0 mm</p>  <p>-6/01-900/56 -63/14-900/56 -63/15-900/56</p>	<p>91-042 211-21</p>  <p>-63/14 -63/14-900/56 -63/15-900/56</p>



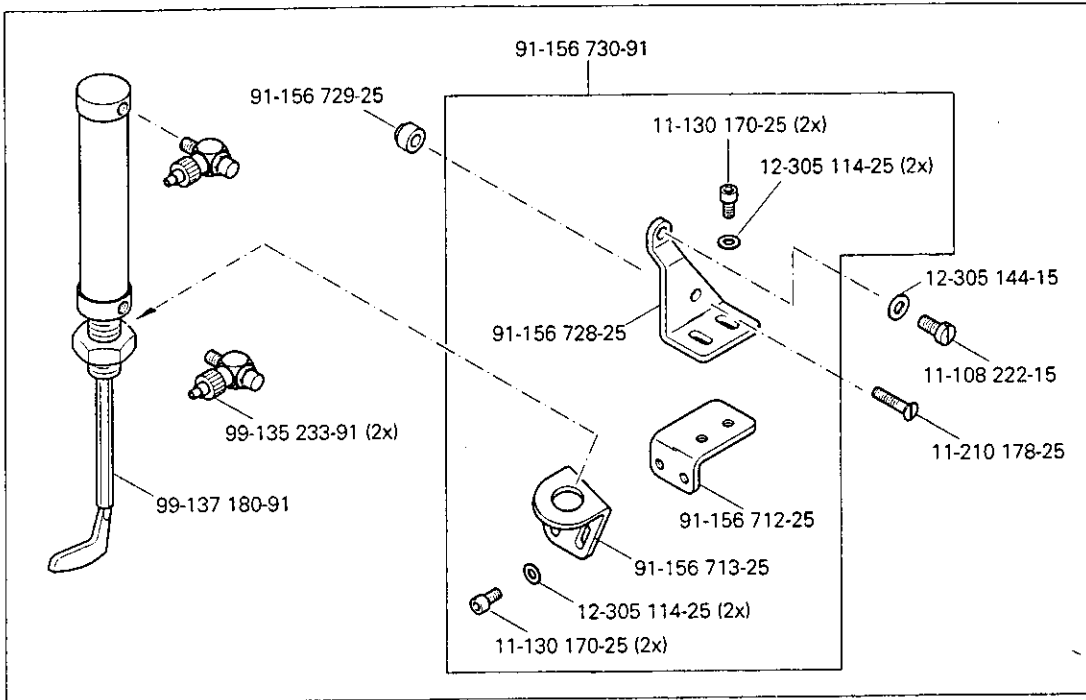
19.04

Nähwerkzeuge
 Gauge parts
 Organes de couture
 Organos de costura PFAFF 1296-706/07



-63/15-900/56

☐ siehe Kapitel 2 Erläuterung der Schlüsselzeichen
 see chapter 2 Explanation of key markings
 voir le chap. 2 Explication des symboles
 véase el Cap. 2 Explicaciones de los signos clave



91-156 725-90

-63/15-900/56

PFAFF

**G.M. PFAFF
Aktiengesellschaft**

Postfach 3020
D-67653 Kaiserslautern

Königstr. 154
D-67655 Kaiserslautern

Telefon: (0631) 200-0
Telefax: (0631) 172 02
Telex: 45753 PFAFF D

Gedruckt in der BRD
Printed in Germany
Imprimé en R.F.A.
Impreso en la R.F.A.