

SINGER
191K, 191K2, 191K3

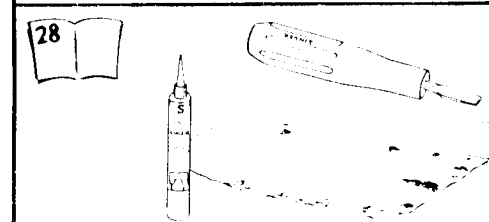
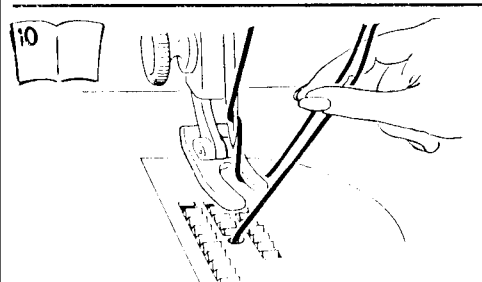
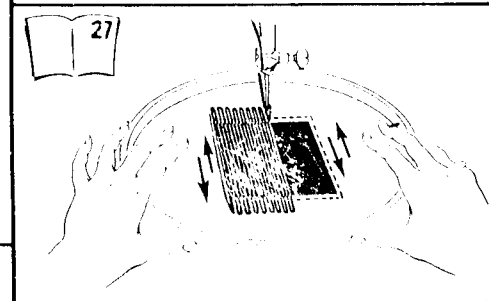
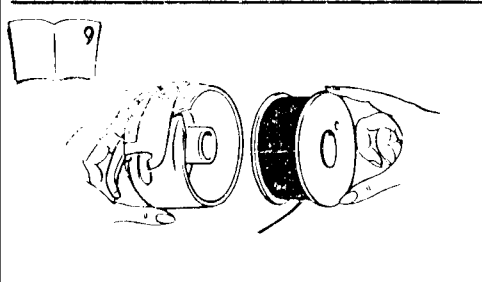
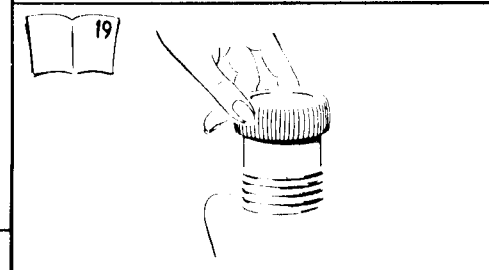
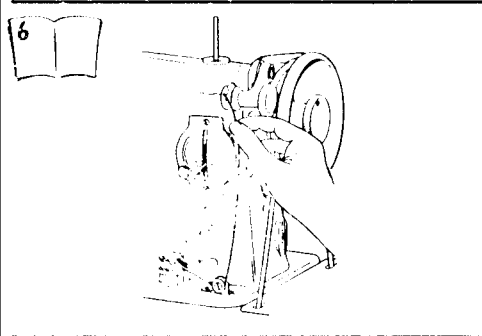
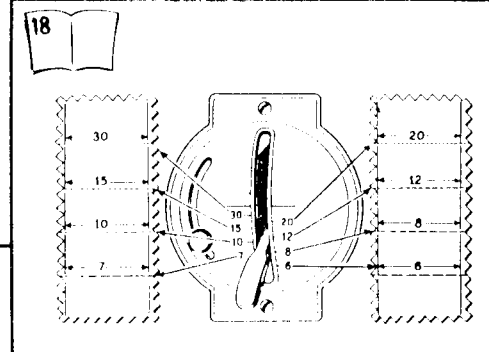
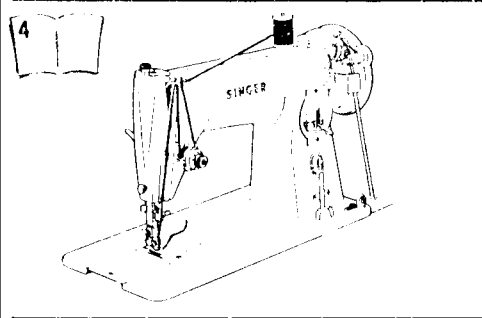
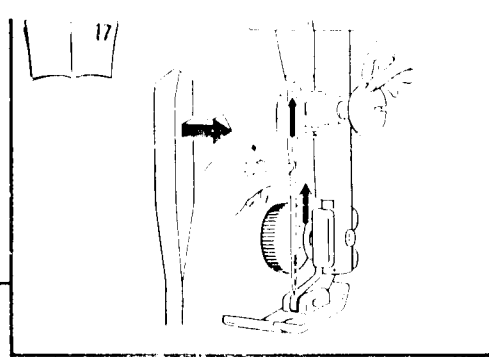
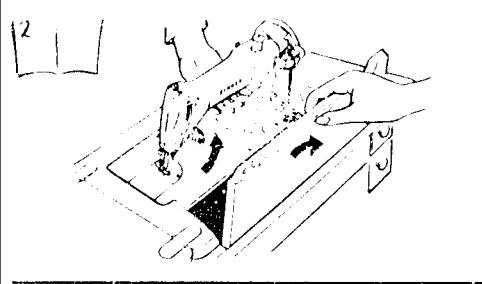
Form K6271
(461)

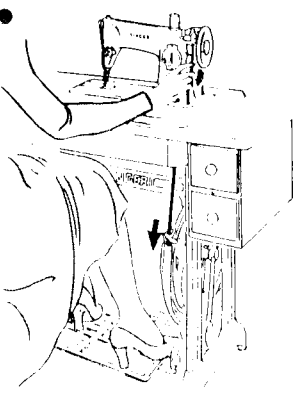
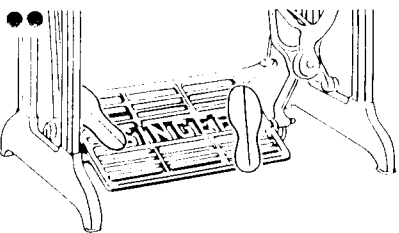
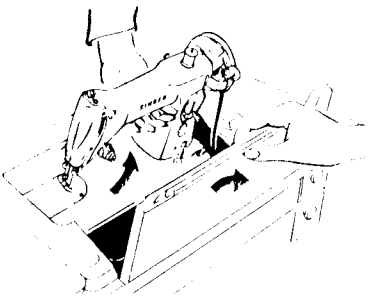
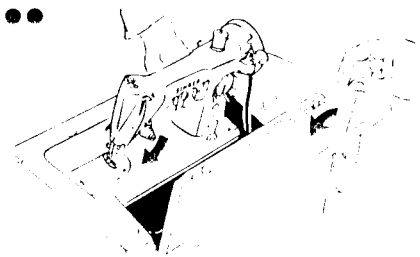
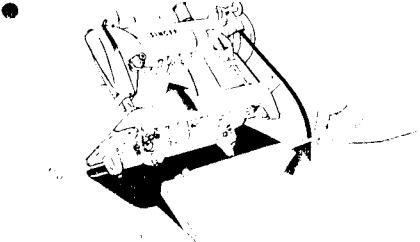
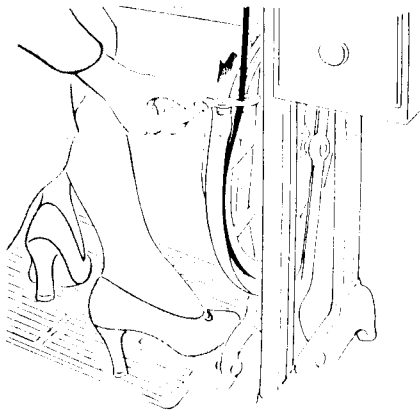
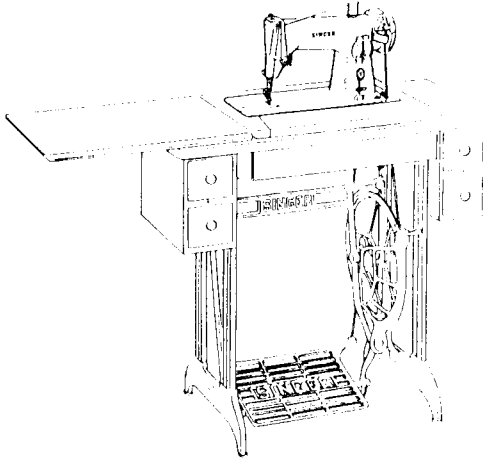
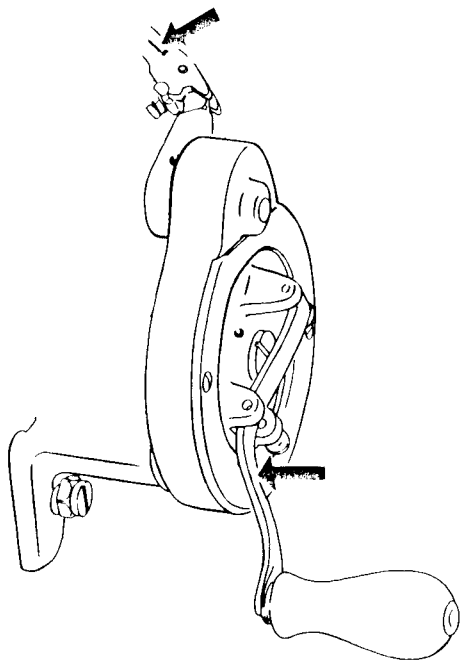
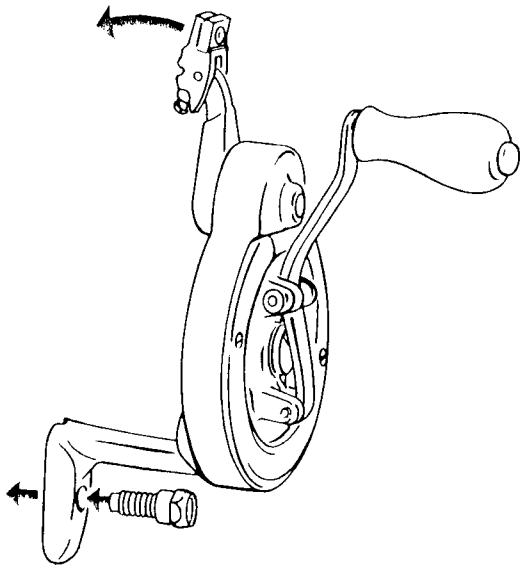
SINGER^{*} SEWING MACHINES 191K1, 191K2, 191K3

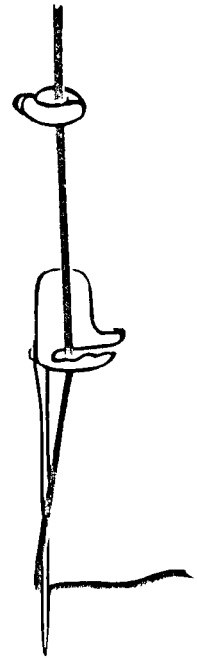
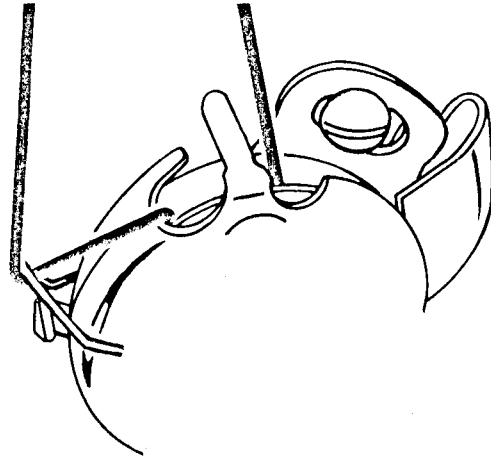
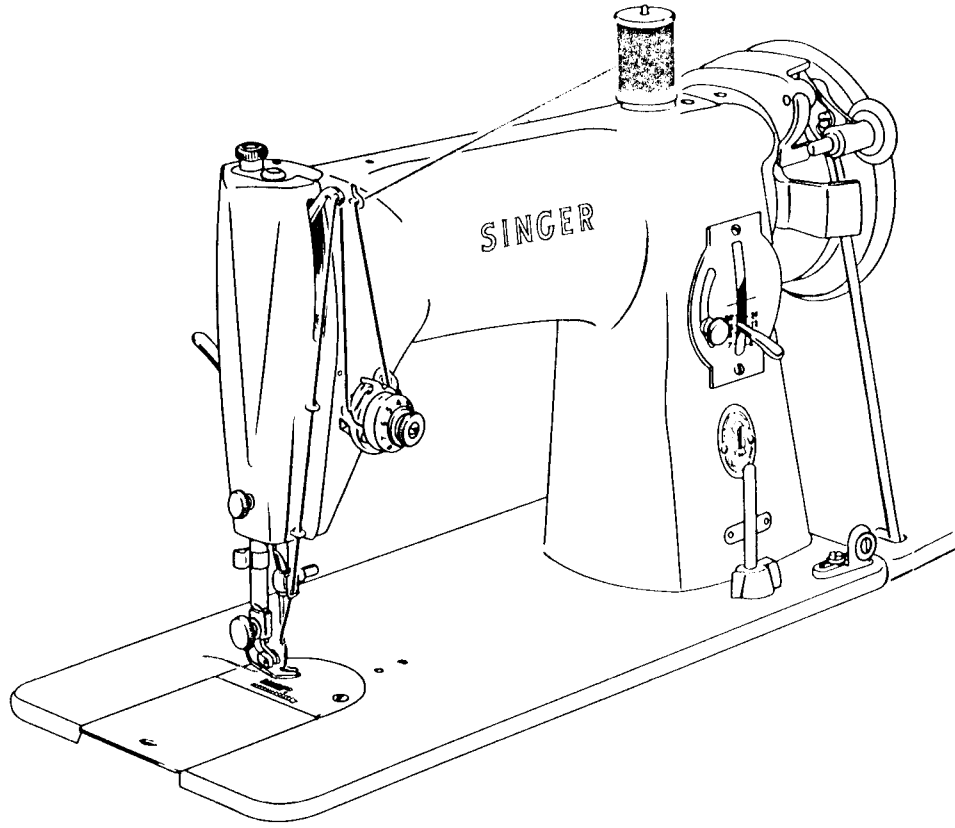
THE SINGER MANUFACTURING COMPANY

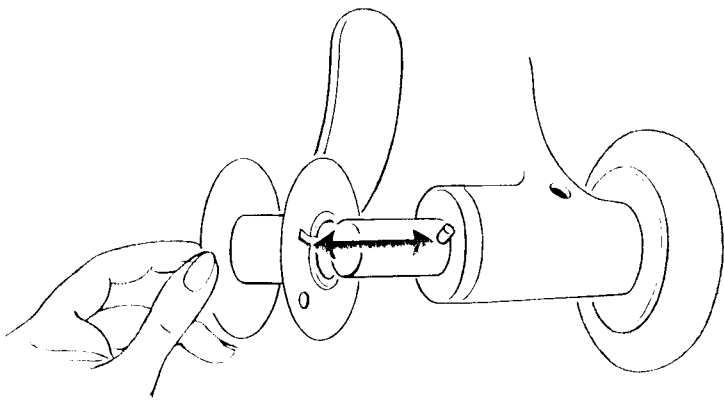
^{*}A Trademark of THE SINGER MANUFACTURING COMPANY

All Rights Reserved
Printed in Great Britain

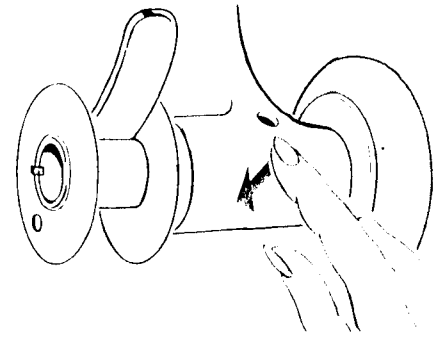




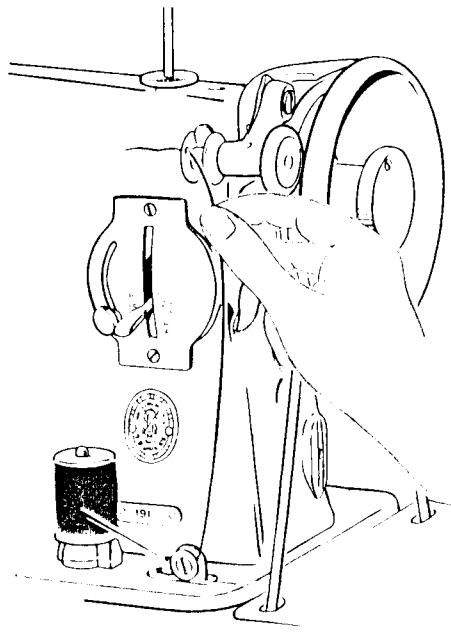




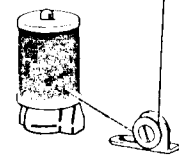
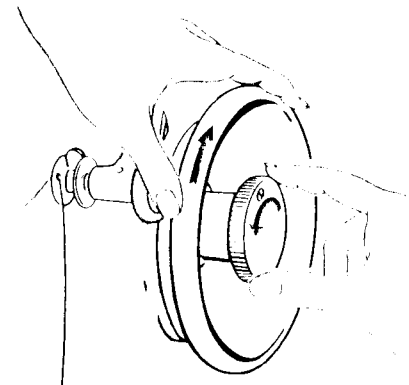
••



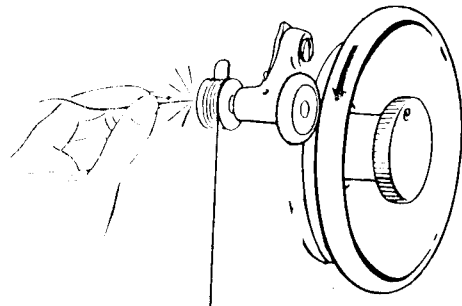
•••



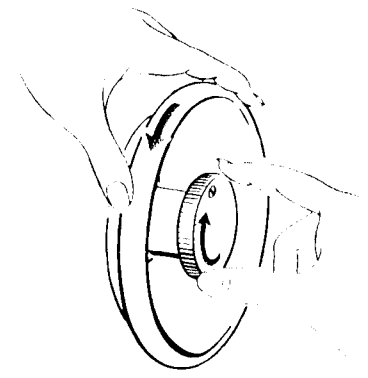
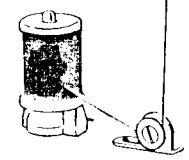
•••••

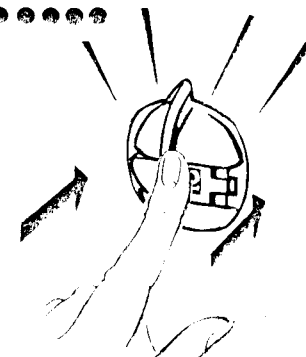
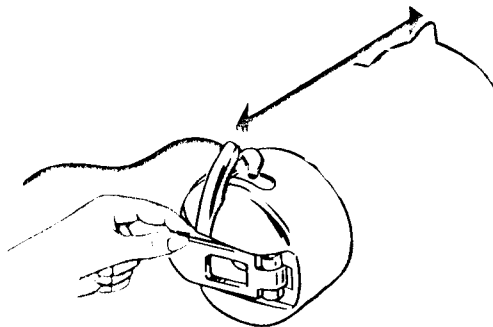
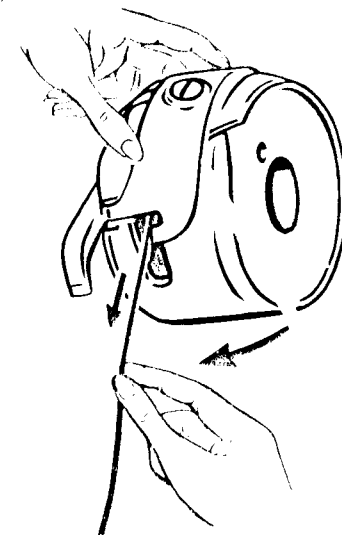
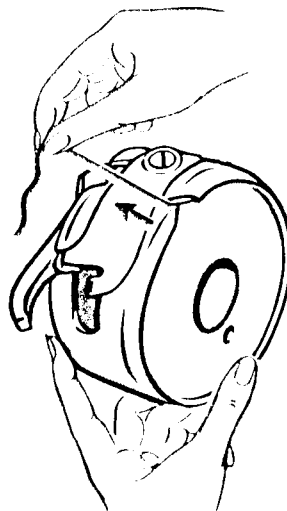
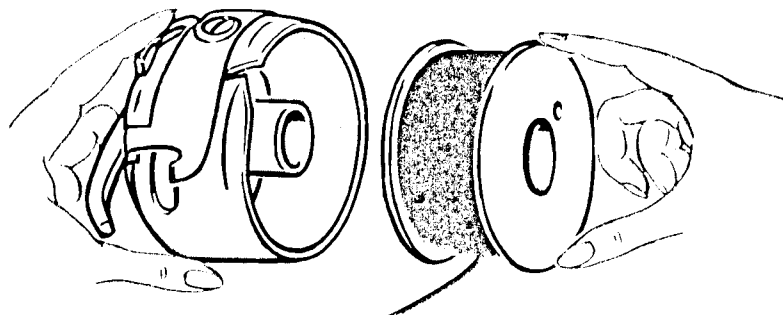
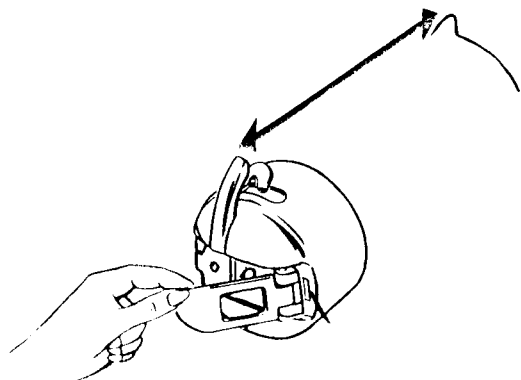
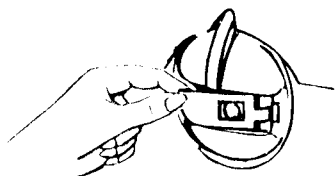
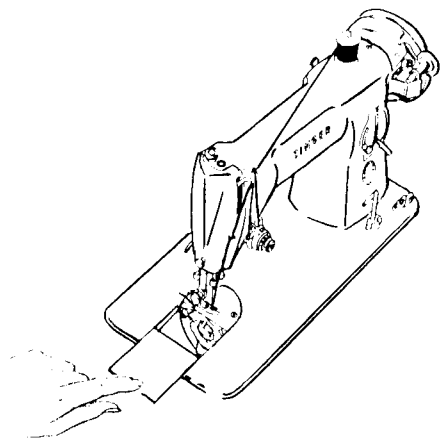


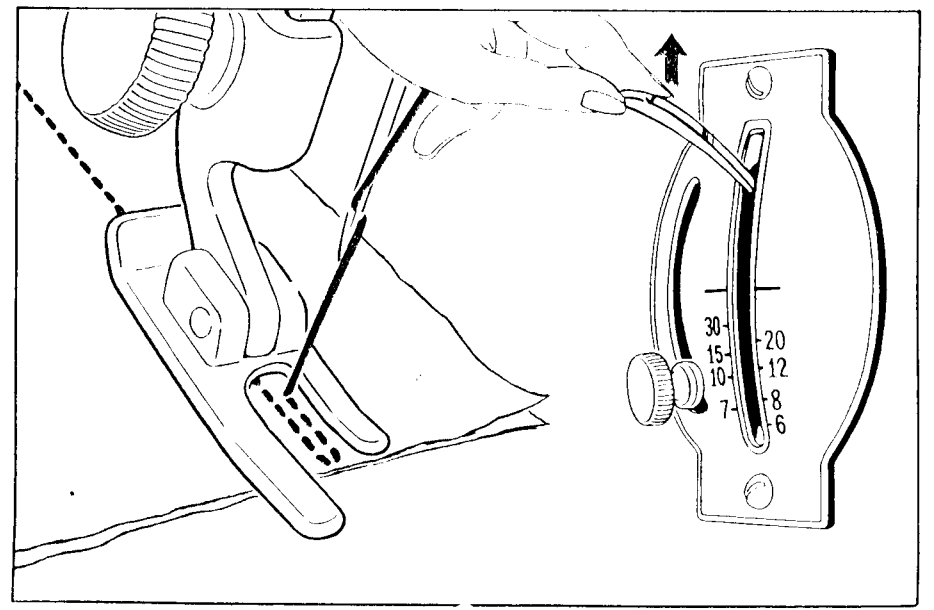
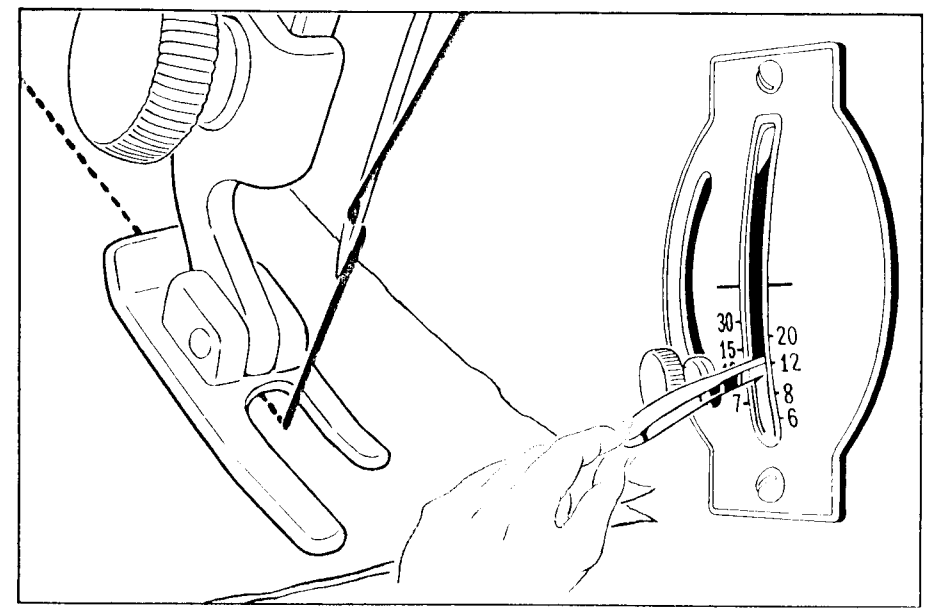
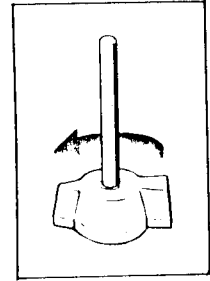
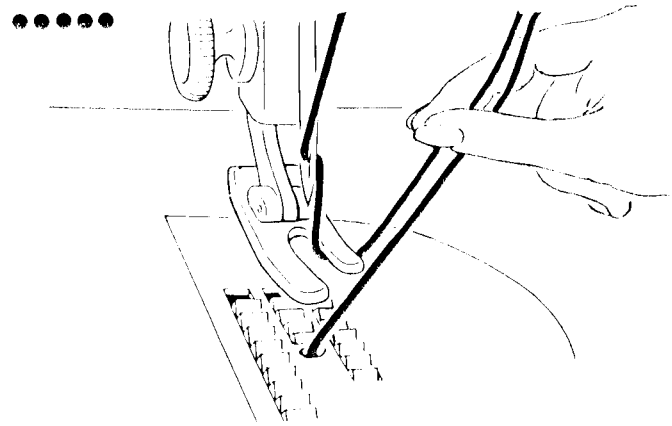
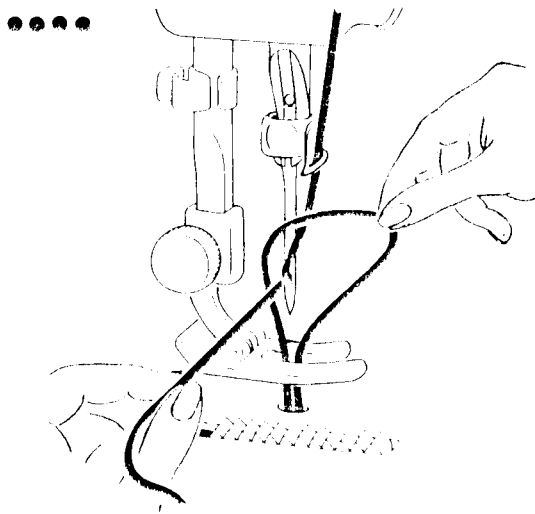
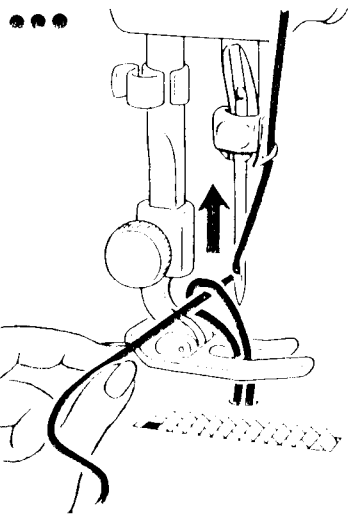
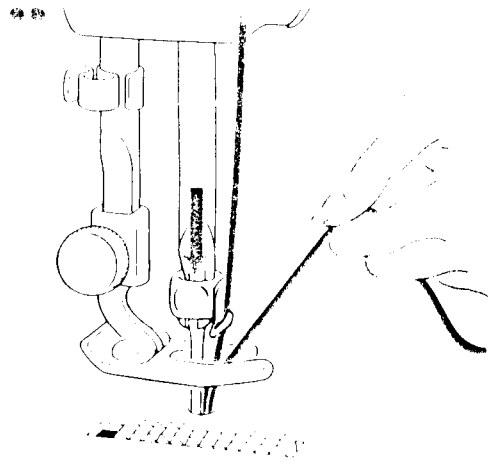
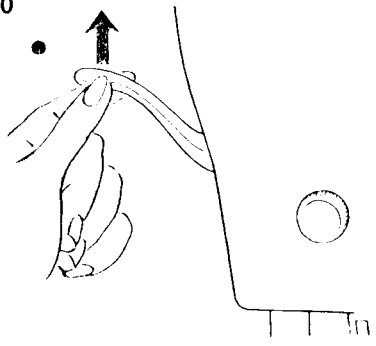
•••••

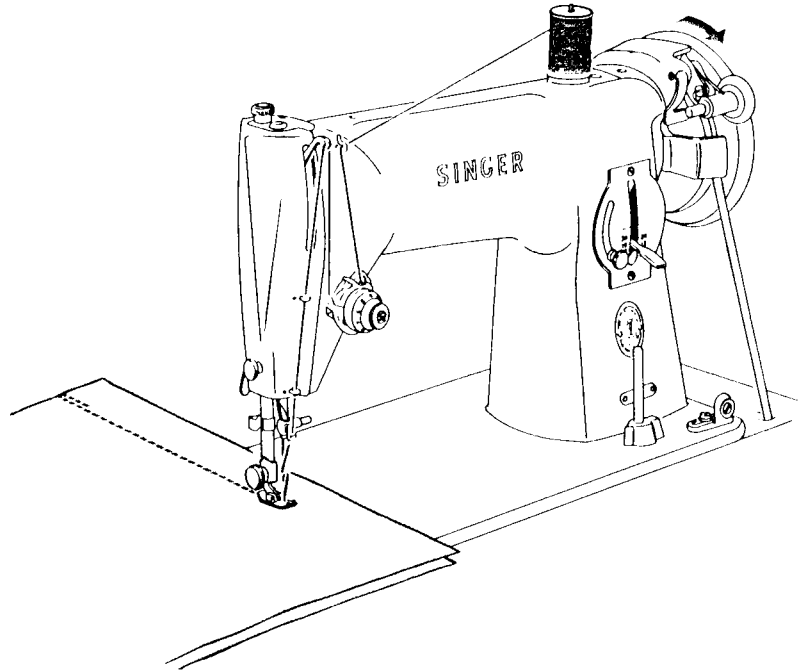
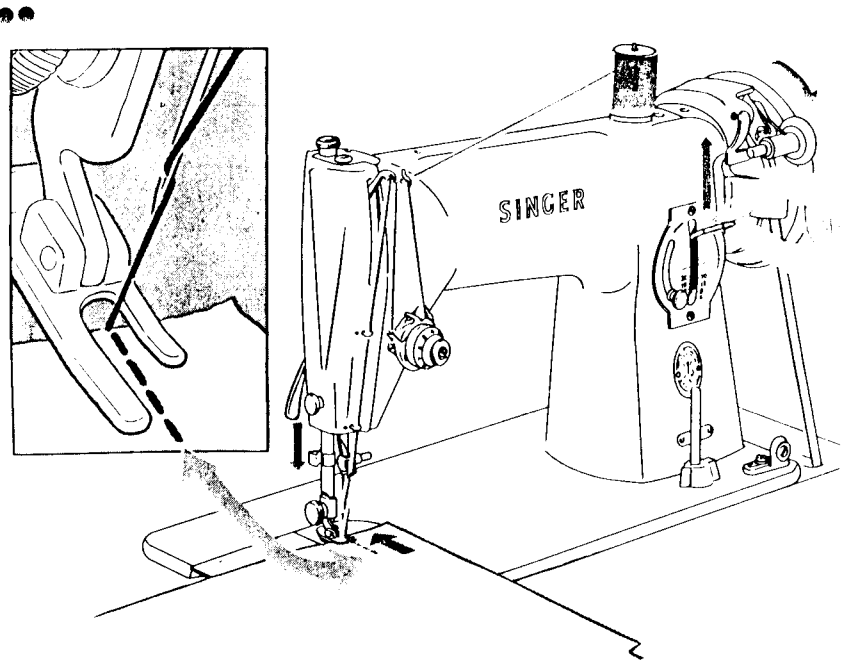
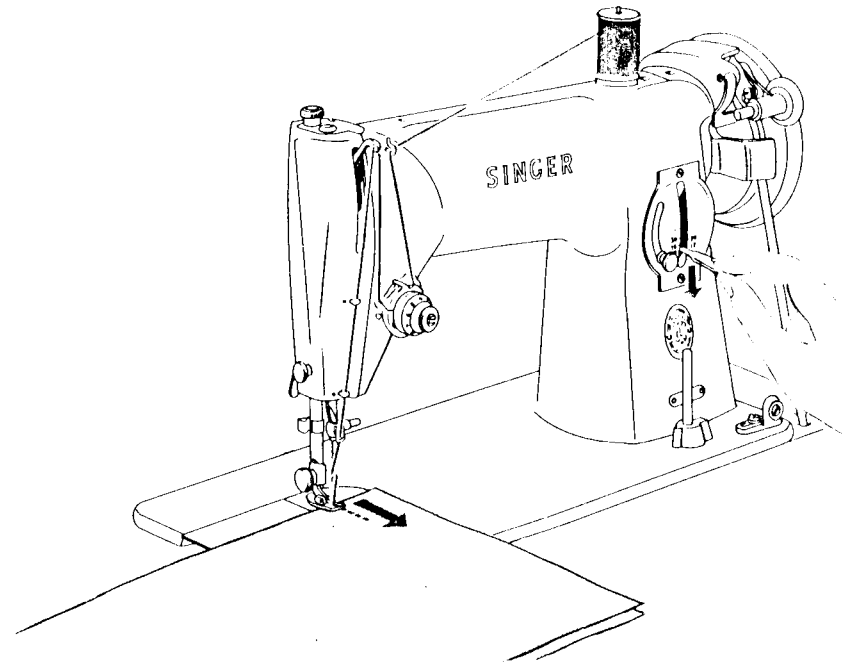
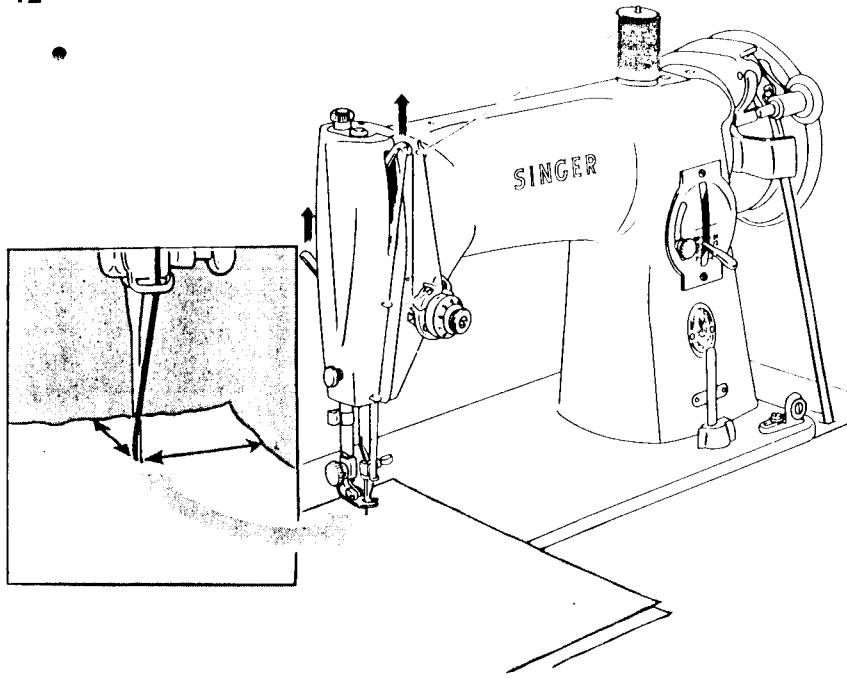


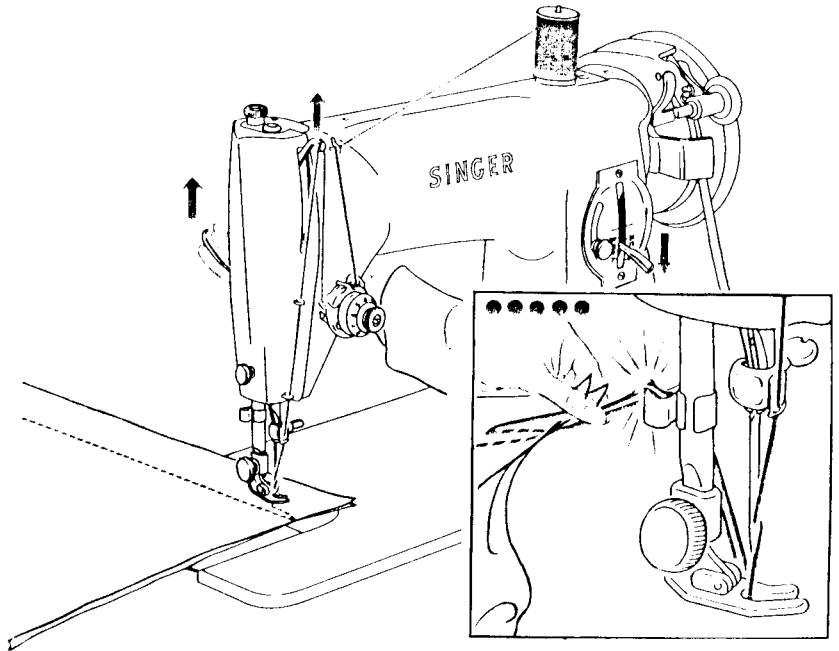
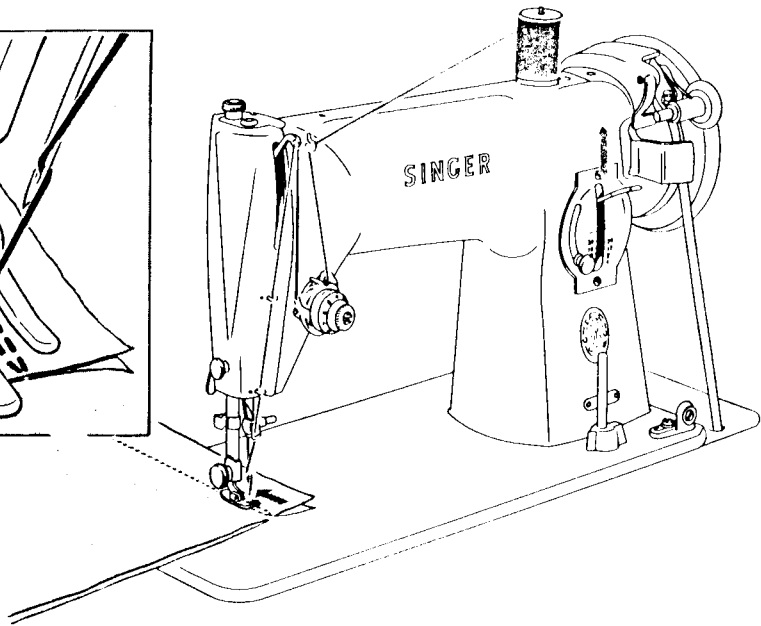
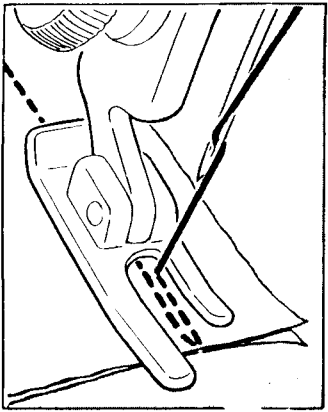
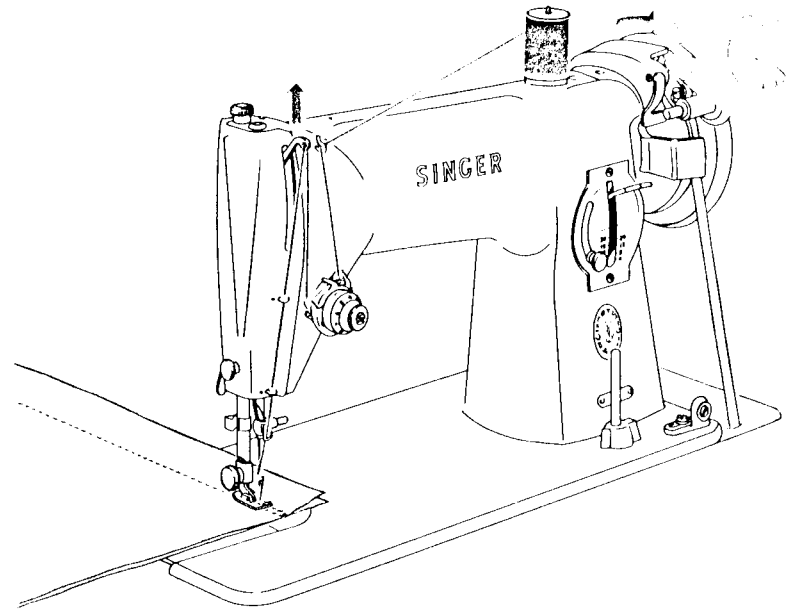
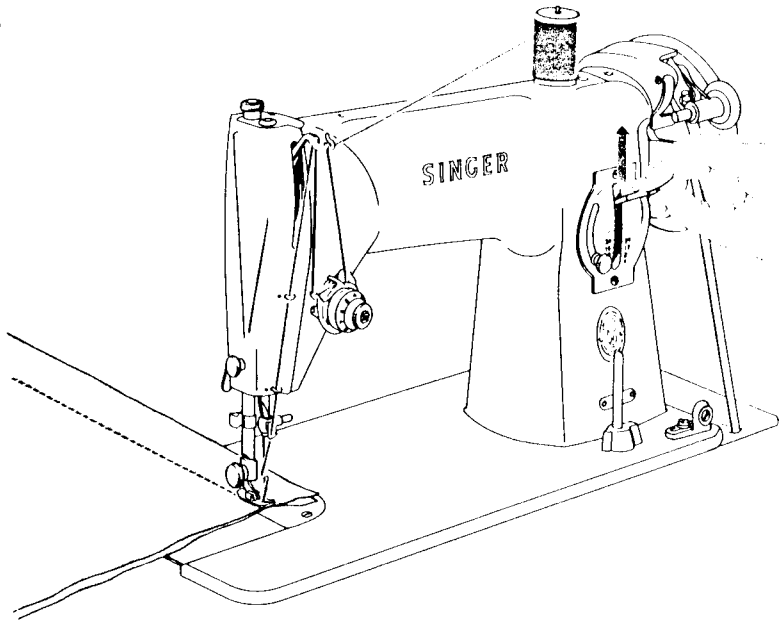
•••••

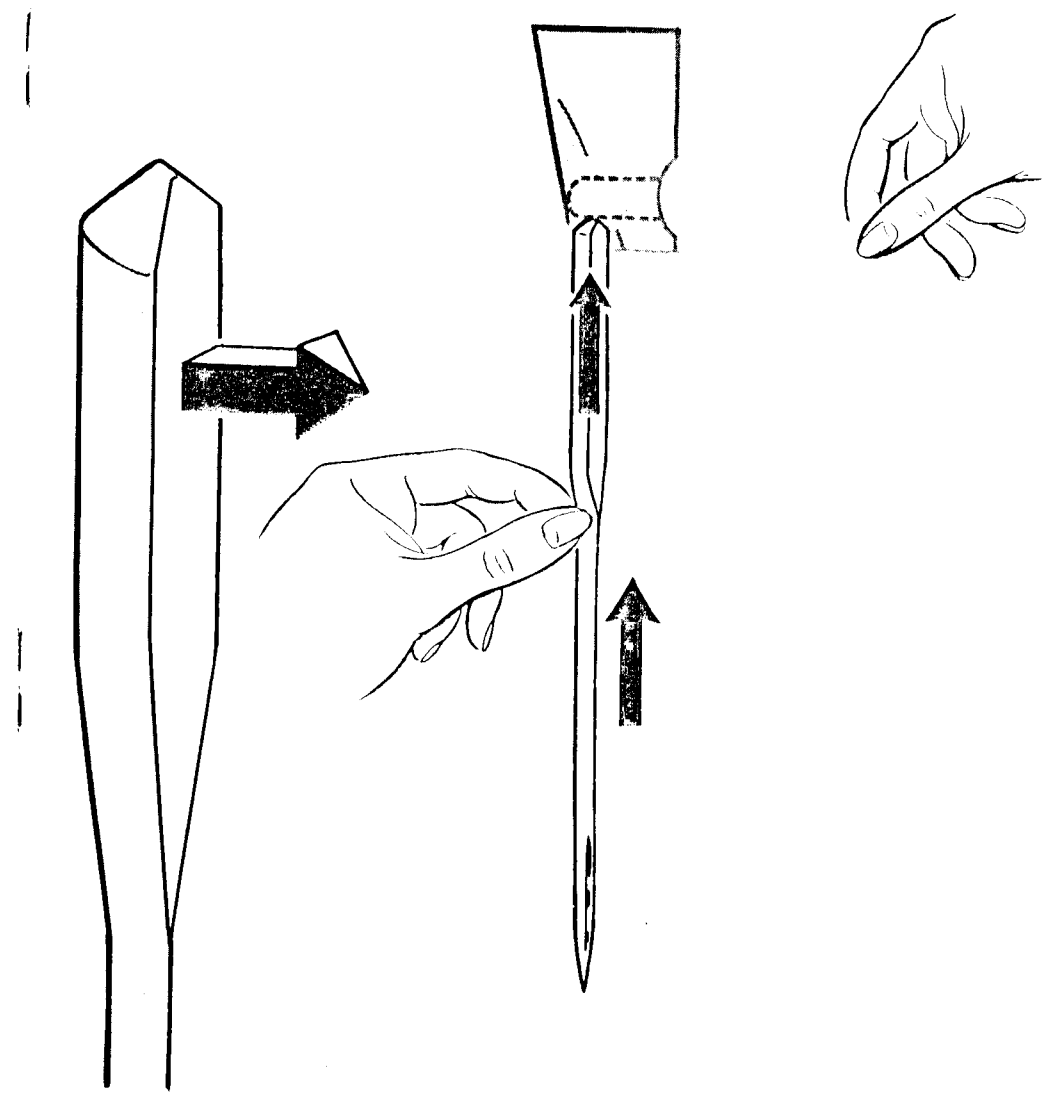
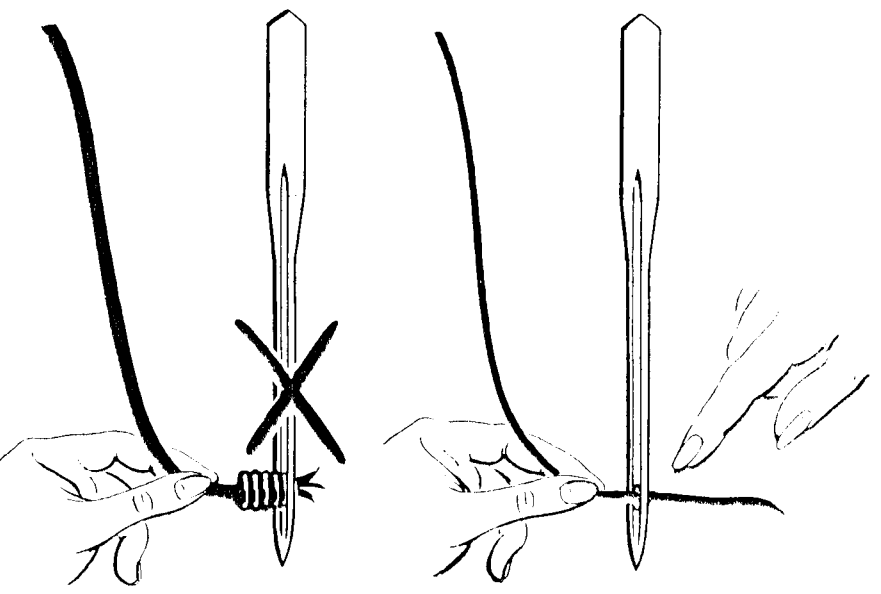
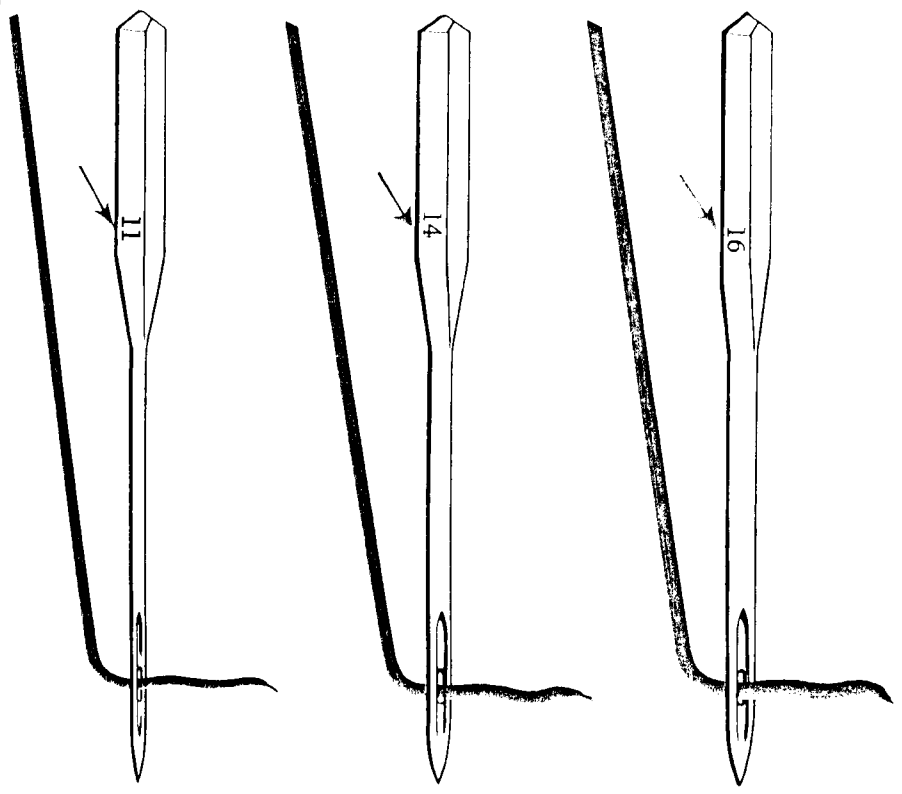


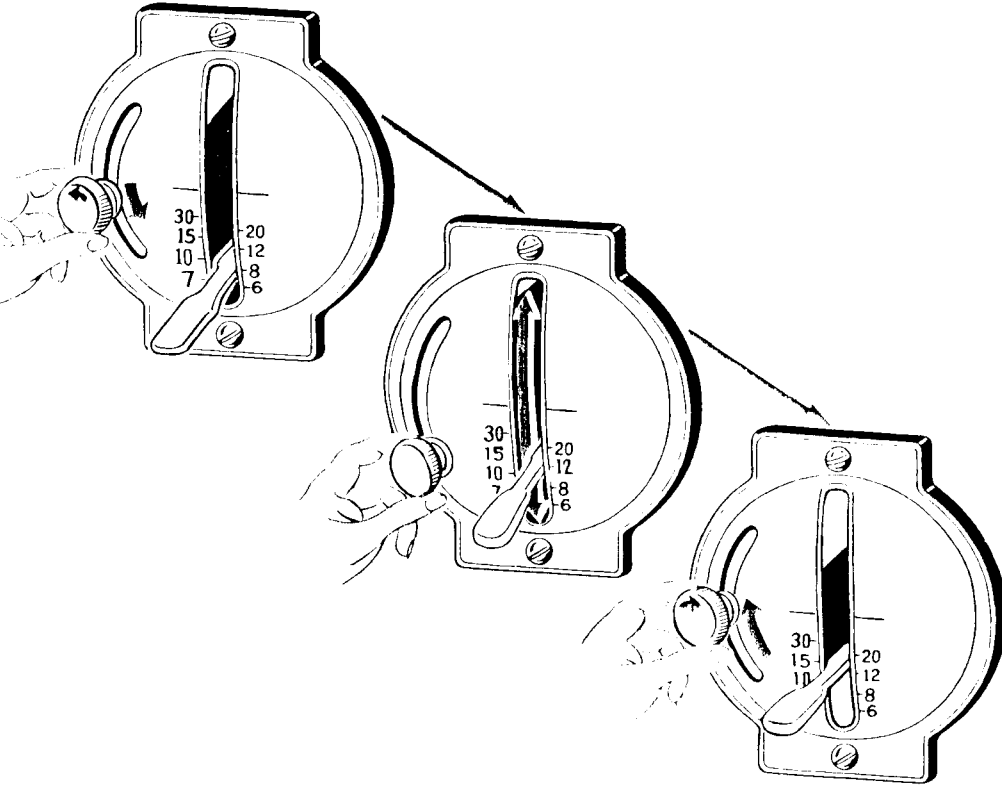
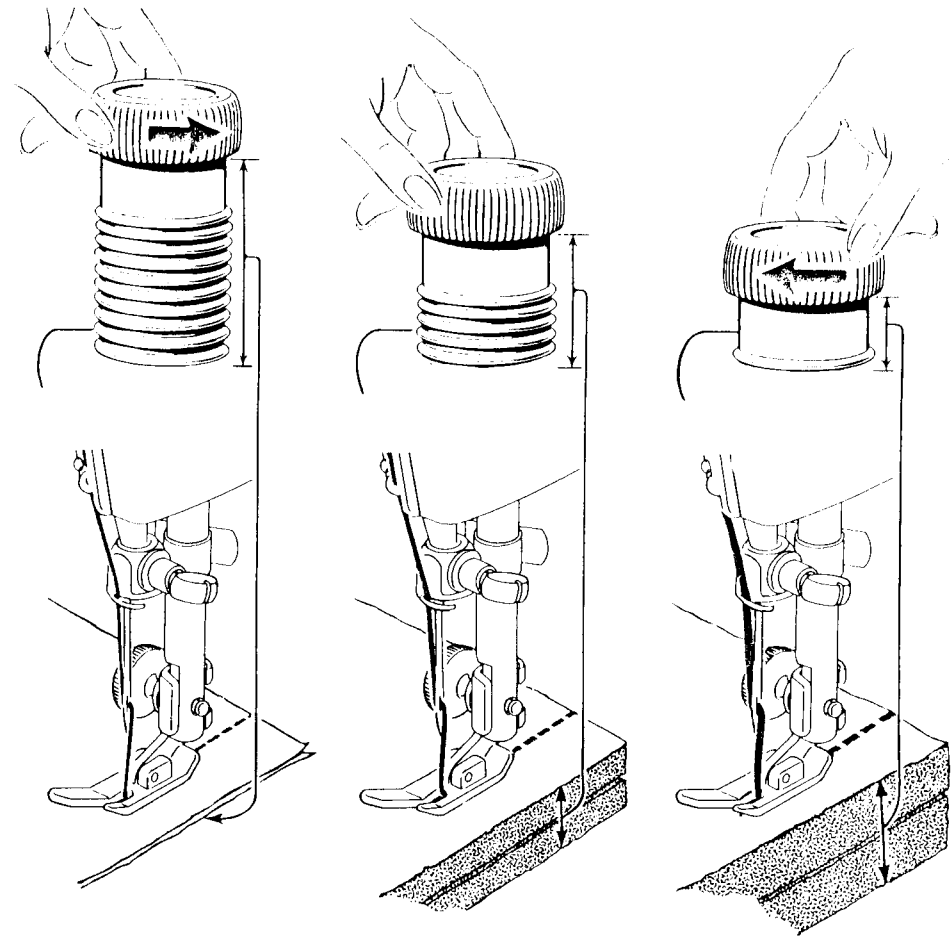
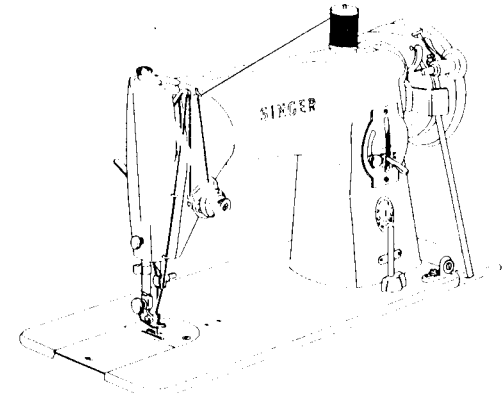
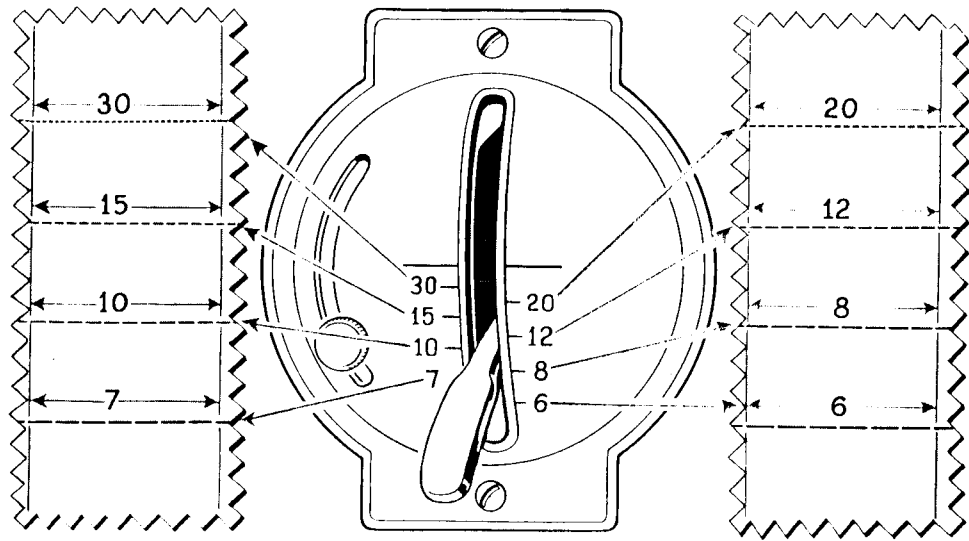


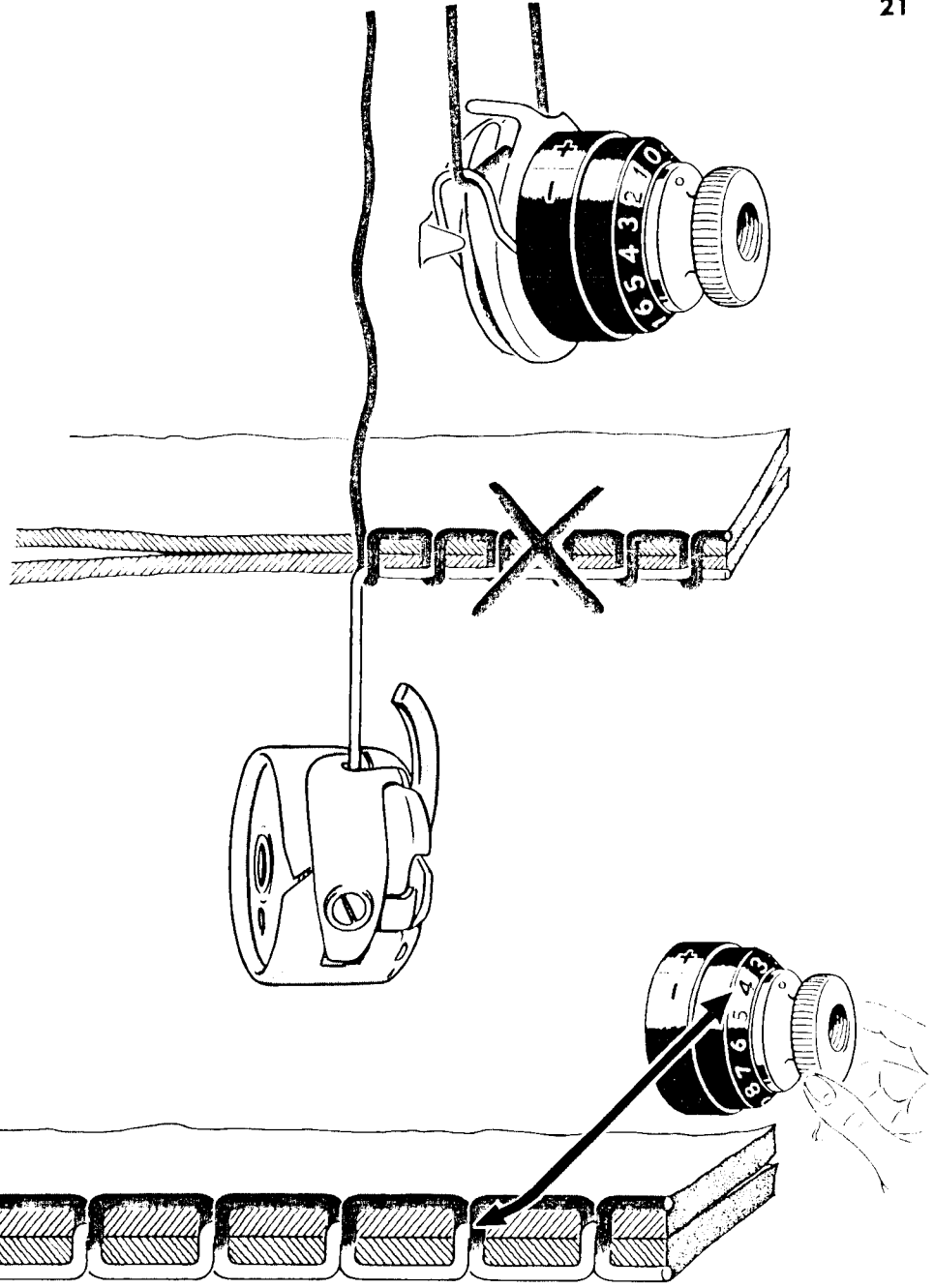
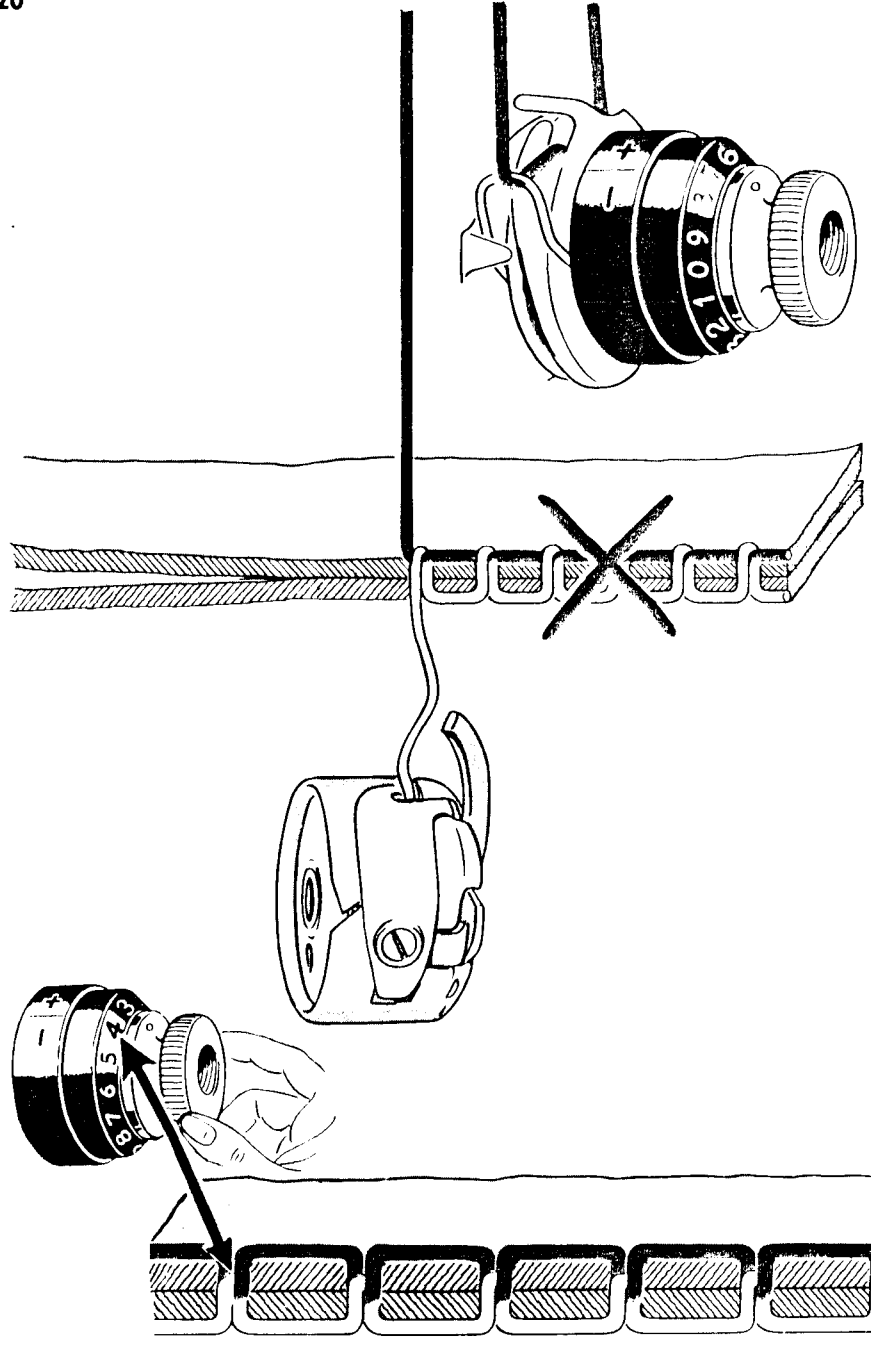


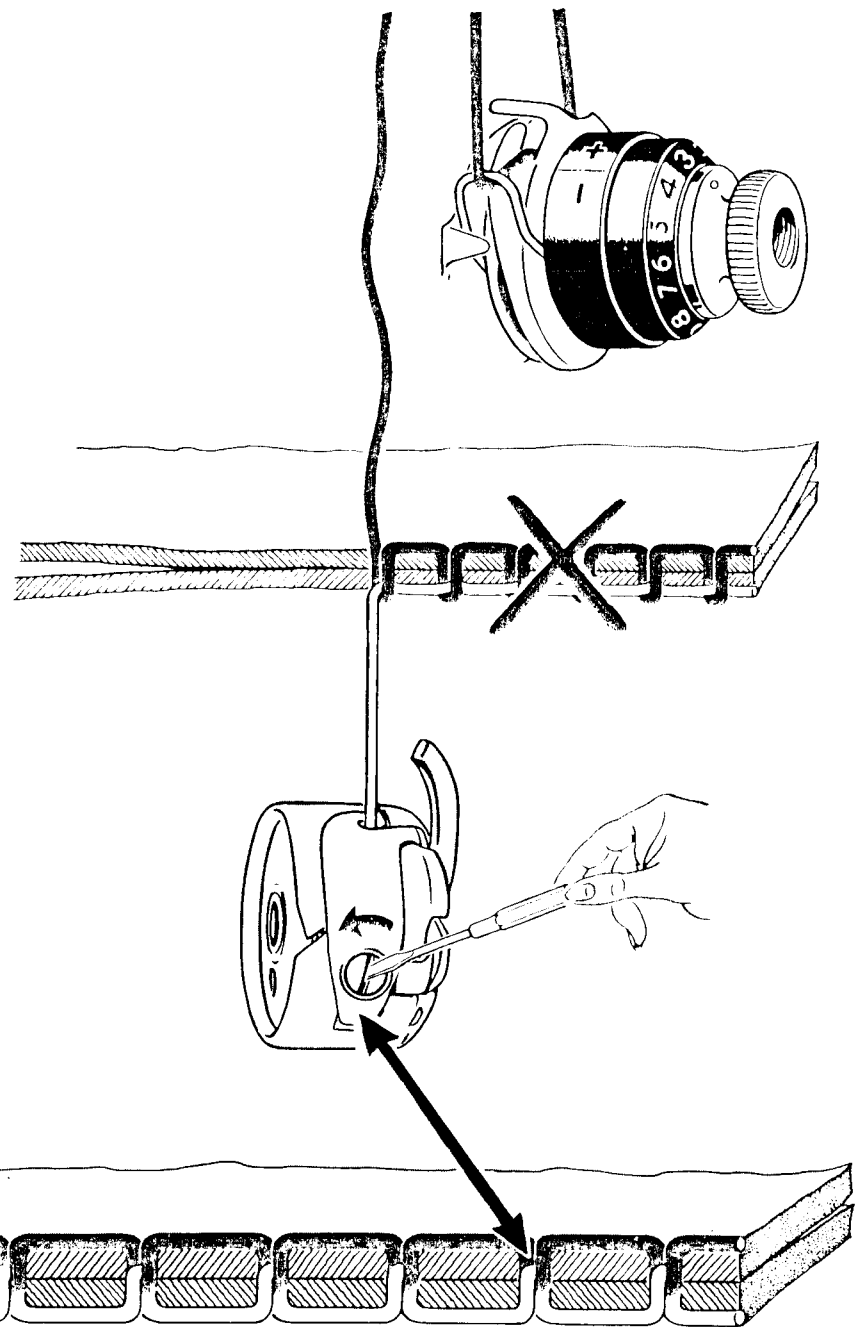
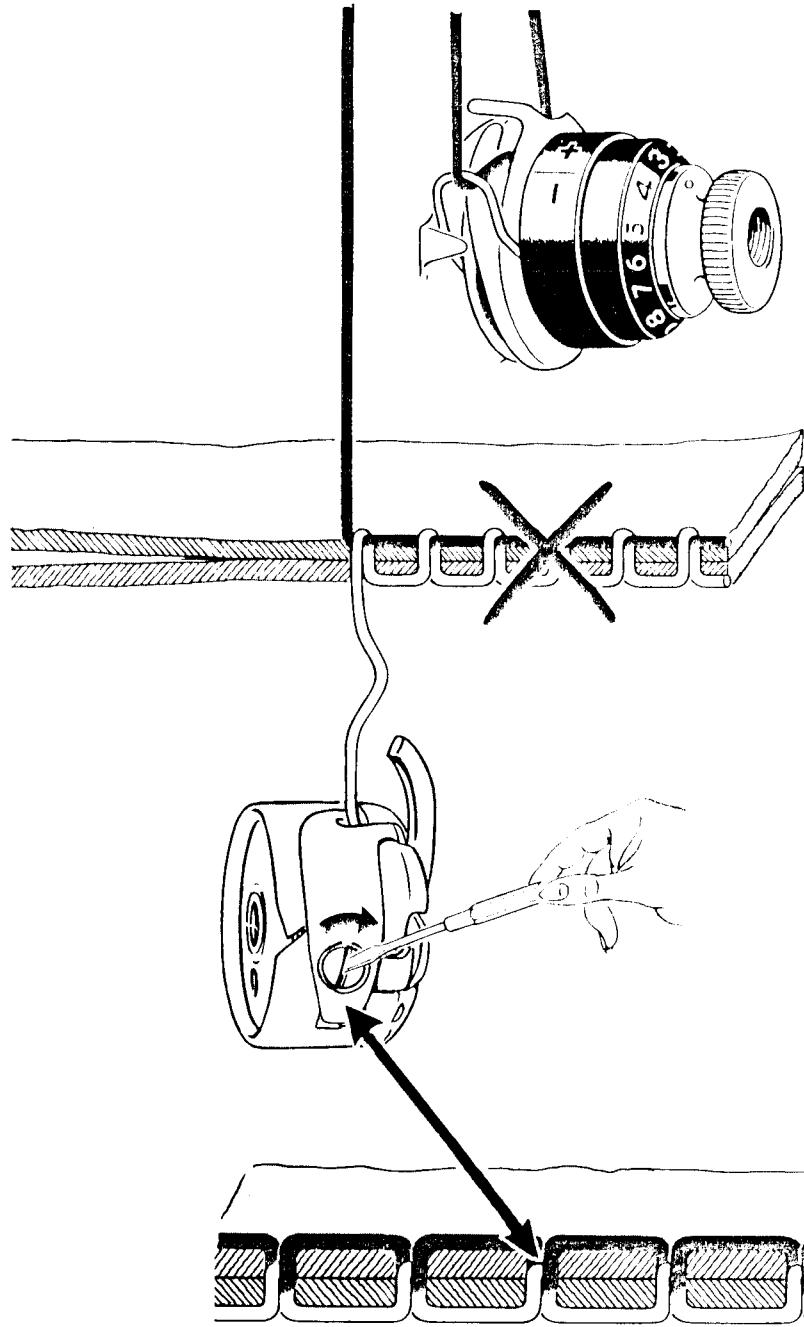


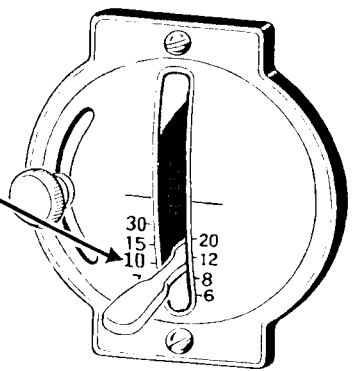
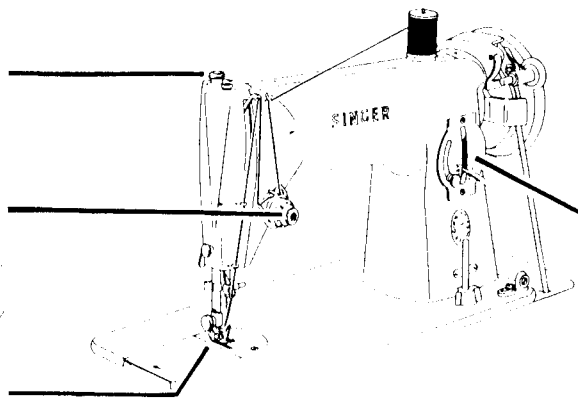
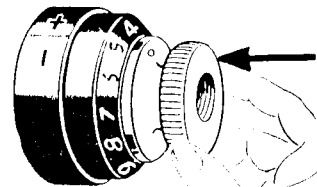
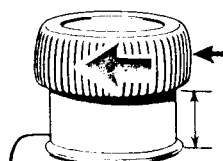
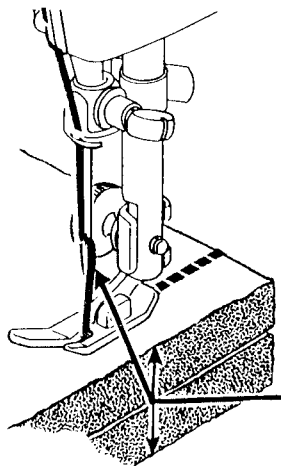
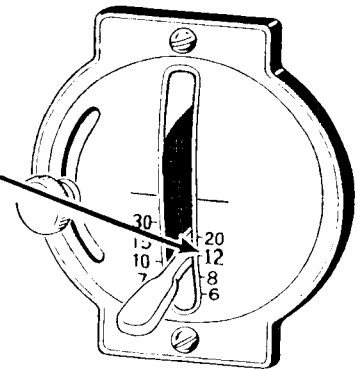
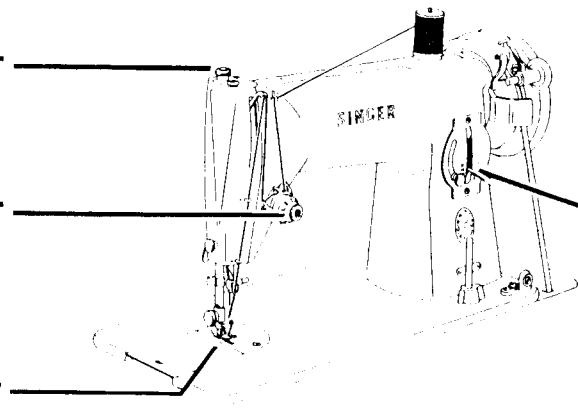
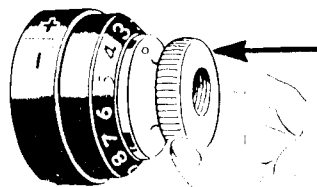
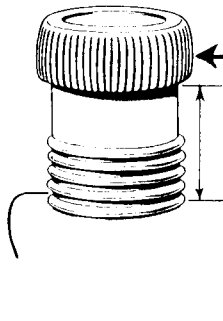
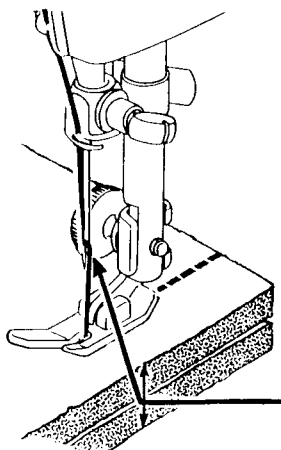
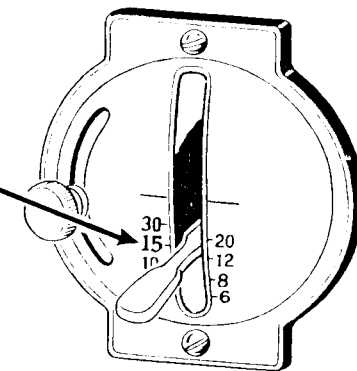
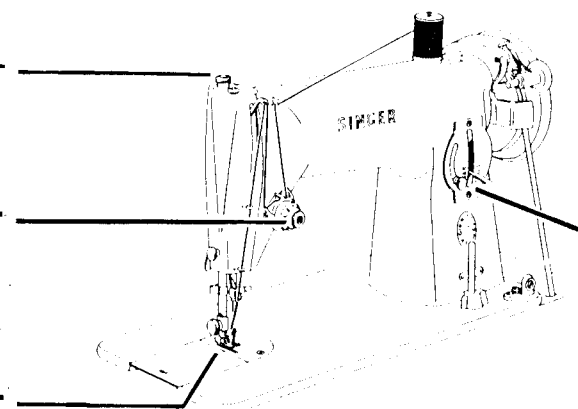
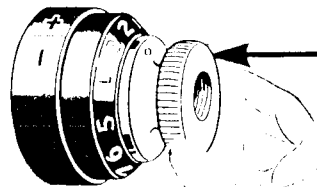
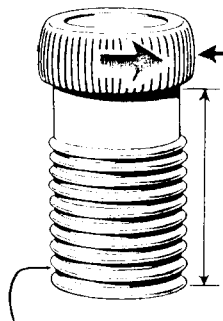
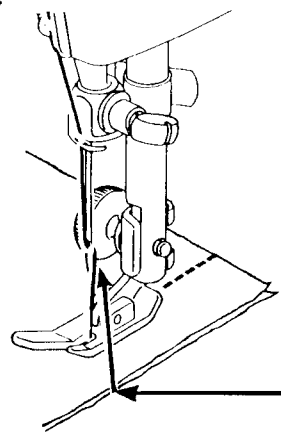


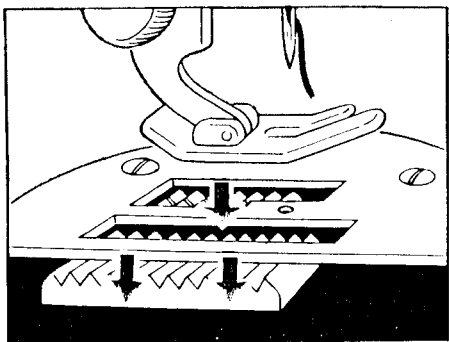
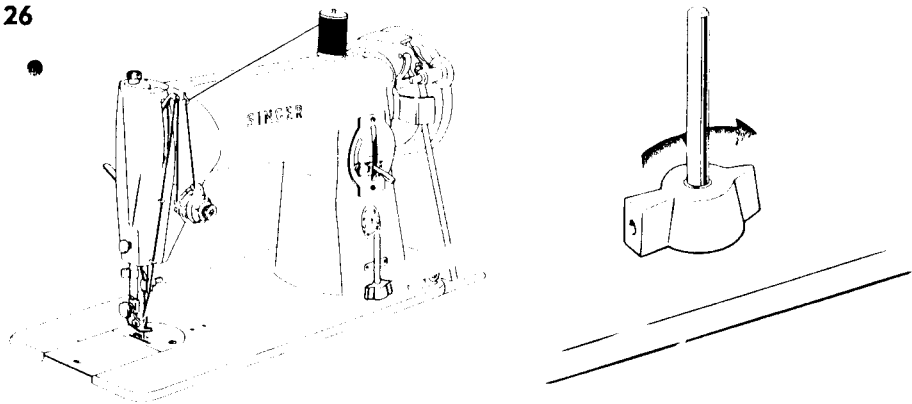












•••••

